



GENERAL INSTRUCTIONS – PLEASE READ BEFORE REFILLING

Thank you for purchasing a Uni-Kit toner refill kit. If you have any questions about the use of these products, please check our FAQ's below or email our technical support at support@uni-kit.com. Uni-Kit is dedicated to providing high quality products at prices that allow our customers to save significantly compared to buying original cartridges. Refilling your toner cartridge also helps the environment as your empty toner cartridge can be revived instead of landing up in a landfill.

The refilling procedure is simple in most cases – make a hole (or uncover a hole) in the cartridge, refill it, and seal it. For specific instructions on your specific model please locate your model in our instruction booklet. While refilling a toner cartridge poses no significant risk to your health, we ask you to refill outside whenever possible and always use common sense when handling the toner hole making tool or when pouring the toner.

Using the toner hole making tool:



This tool is an electrical appliance that is used to make a hole in the cartridge by first heating up to a desired temperature. Be careful when handling this tool so that you don't burn yourself or anything around you, the tool gets very HOT! You will need to wait for the tool to heat up for about 3-5 minutes before using it to burn a hole in the desired location on the cartridge (see specific cartridge instructions for location of hole). While waiting for the tool to heat up or cool down, rest the tool on the tool stand as shown in this diagram above.

Pouring the toner:

To our knowledge, the average DIY refiller's exposure to fumes presents no significant health hazard in normal use. We recommend refilling in a well ventilated room or outside to minimize the exposure to fumes. For extra protection, wear a dust mask.

FAQ's FOR THE UNI-KIT TONER REFILL KITS

1. Will your toner harm my printer or photocopier?

If you follow our simple instructions and inspect your work before reinstalling your cartridge, there is no way the cartridge you refill can harm your machine.

2. Will the use of your toner void my warranty?

Nope! In fact, it is against the law (the Sherman and Clayton Anti-Trust Acts, to be specific) to tie the purchase or use of a particular supply to the warranty.

3. Are there any hazards involved with the handling of toner?

HP describes toner as "Toner is a nontoxic substance composed of plastic, iron, and a small amount of pigment."

Much like the fumes released from gasoline in cars or from active or passive smoking or even from inert dust and chemicals in the environment, the exposure to fumes from toner or from burning a hole in the cartridge (when necessary) could of course be hazardous. To our knowledge, the average DIY refiller's exposure to fumes presents no significant health hazard in normal use. We recommend refilling in a well ventilated room or outside to minimize the exposure to fumes. For extra protection, wear a dust mask.

4. How many times can I refill my toner cartridge?

An average of three times (It varies depending on cartridge type). The range is from 1 or 2 times, to 5 or more times. Quality and page yield will decrease the more times a cartridge is refilled. While we have had reports from some users that they have been able to use our toner an even greater number of times on a given empty, the simple (and obvious) rule of thumb is, continue to use our toner until you are no longer satisfied with the print quality.

5. Why are the kits named after formulas instead of names of printers?

The "engine" in your laser printer is also manufactured to be used in dozens, even hundreds of other printers.

Canon actually makes all of the Hewlett Packard laser printers and toner cartridges. Hewlett Packard does not make a single laser printer nor do they make a single toner cartridge.

6. If the refilled cartridge using your toner won't hurt the printer, what, if anything, can go wrong?

Just like a new cartridge, if there is ever anything that goes wrong, it normally shows up on the printed output. If you notice spots, dots, blank spots or voids showing up on the printed page (in a pattern that repeats several times down the page), then the cartridge has reached the end of its useful life and needs to be replaced. A razor sharp, pencil thin line appearing on the page also indicates a cartridge has reached the end of the line.

7. Is your toner made by the same company that makes the brand-name cartridge toner?

There is no way to know for sure. Many laser printer manufacturers do not make their own toner. We use toner formulas that match as closely as possible the properties of the original toner they are replacing. Our toners are tested not only for excellent quality prints like the original, but also for page yield so that you get about the same amount of printed pages as the original cartridge on the first refill.

Para instrucciones en español
<http://www.uni-kit.com/support/spanish.html>



INDEX

Apple - M0089	56	Canon - FX5	1	HP - 92275A	56	Lexmark - 08A0477/08A0478	29
Apple - M0180	58	Canon - L50	27	HP - 92285A	58	Lexmark - 10S0150	37
Apple - M2045GA	59	Canon - S35	28	HP - 92291A	25	Lexmark - 1382100/1382150/	
Apple - M2473A / G	1	Canon - X25	28	HP - 92295AX	57	1380850/1380950/1380200/	
Apple - M6002	57	Canon - XS/EPS	57	HP - 92298A / X	1	1380520	48
Brother - TN250	23	DEC -LON0XXAA	1	HP - C3900A	55	Lexmark - 1382140	54
Brother - TN350	17	DEC - LN07XAA	56	HP - C3903A	3	Lexmark - 1382760	38
Brother - TN430/460/560	24	DEC LN11XAA	61	HP - C3906A	4	Lexmark - 13T0101	52
Brother - TN540/550/570/580	18	Dell 1100 / Samsung ML-		HP - C4092A	5	Lexmark - 140100A	55
Brother - TN9500	7	2010 / ML-1610 / Samsung		HP - C4096A	6	Lexmark - 140109A	49
Brother - TN9500 (high yield)	8	SCX-4321 / SCX-4521 /		HP - C4127A	7	Lexmark - 140195AX	57
Canon - A30, A15	60	Xerox PE220 and more	46	HP - C4127X	8	Lexmark - 140198A / X	1
Canon - E16/E20/E31/E40	26	Dell S-35	29	HP - C4127AX/C3909A/		Lexmark - 17G0152, 17G0154,	
Canon - EP52	7	Dell P1500	30	C4182AX	54	4K00198, 4K00199 12A5740,	
Canon - EP52 (high yield)	8	Dell P1600	31	HP - C7115A	10	1382625, 1382925, 1382929	
Canon - EPA	4	Dell M5200	41	HP - C7115X	11	12A5745, 12A5840, 12A5845,	
Canon - EPB	55	Epson - S0500100	53	HP - C8061A	35	12A5849	40
Canon - EPC/A20	58	Epson - S051016	61	HP - C8061X	12	Lexmark E220/E321/E323	30
Canon - EPE	1	Epson - S051011	61	HP - Q1339A	36	Lexmark T630/T632/T634/T640/	
Canon - EPW/EP72	54	Epson - S051009/S051200	47	HP - Q2610A	13	T644	41
Canon - F100	34	Epson - S051023	9	HP - Q2612A	2		
Canon - FX1/EPL	56	Genicom - 6A0133P01/		HP - Q2613A / X	14		
Canon - FX2/EPP	59	6A0134P01	48	HP - Q2624A	15		
Canon - FX3	4	HP - 92274A	59	HP - Q5949A	16		
Canon - FX4	3			HP - C7553A/C7553X	79		
				HP - C7551A/C7551X	80		
				IBM Info Print 1312	30		
				IBM - 63H5721	54		

© All rights reserved, Easy Group, LLC. Version 3.0

All trademarks are property of their respective owners. Uni-Kit® has no association with any of the manufacturers listed here such as Hp, Epson, Lexmark, Xerox, etc. All logos and brand names shown here are used for identification purposes only. It is illegal to reproduce these instructions without written licensing consent from Easy Group LLC.



INDEX

Minolta 4161101, 1710434001 _____	45	OKIDATA 52111401 _____	45	Xerox - 106R441/ 106R442 _____	43	HP 1500 / 2500 _____	66
Minolta 0910802/0910803 _____	47	Panasonic – FQU160 _____	47	Xerox - 6R359, 6R343, 6R333, 6R881, 6R737 _____	42	HP 2600 _____	67
Minolta - 0927605, 0927606 _____	61	PITNEY BOWES 8060 _____	56	Xerox – 106R482 _____	51	HP 3500 / 4500 / 4600 / 5500 _____	68
Minolta - 17030190000 _____	57	PITNEY BOWES 8186 _____	45	Xerox - 6R899 _____	33	HP 8500 _____	69
Minolta - 17030210000 _____	58	RICOH 339302 _____	57	Xerox - 6R905 _____	3	HP 9500 / CANON RUNNER 3200 _____	70
Minolta - 1710081001 _____	55	RICOH 339473 _____	45	Xerox - 6R907 _____	55	LEXMARK C510/C710/ BROTHER TN04 _____	71
Minolta - 1710433001, 0938306 _____	45	RICOH 339479 _____	45	Xerox - 6R908 _____	4	Okidata C5100 / Okidata C5150 / C5200 / C5300 / C5400 and Okidata C 7100,	
Minolta - 171046601 171046001 _____	54	RICOH CL4000 _____	81	Xerox – 6R914 _____	44	Okidata C 7200, Okidata C 7300 / Okidata C 7500/ Okidata B4100 / B4200 / B4300 _____	72
Minolta – 1710497001 _____	43	Samsung – ML 1710 _____	32	Xerox - 6R926 _____	8	QMS 2200 /2400 / EPSON C1000 / C2000 / C3000 _____	76-77
Minolta – 1710511001, 1410399002, 1710405002, 4152601/4152301 _____	53	Samsung – ML6060 _____	43	Xerox – 6R927 _____	5	QMS 2300 / 2350 / EPSON C900 / C1900 _____	73-75
Minolta 1300/1350 _____	20	Samsung – SF5100 / TDR510P / ML4500 / ML1210 _____	37	Xerox – 6R928 _____	6	QMS 5430 _____	21-22
MURATEC/MURATA TS120 _____	45	Samsung – ML5000/ TD55K _____	52	Xerox - 6R929/6R0906 _____	54	SAMSUNG CLP 300 _____	83
NEC 20055 _____	47	Sharp – AL100TD _____	44	Xerox - 6R932 _____	10	SAMSUNG CL P500 _____	78
NEC 20090 _____	45	Sharp - FO45ND _____	45	Xerox – 6R933 _____	12	SAMSUNG CLP 510 _____	62
NEC 20120/20122 _____	53	Sharp - Z781701, ZT50701 _____	42	Xerox – 113R296 _____	52	SAMSUNG CLP 600 _____	39
NEC 20152 _____	43	Sharp - ZT20TD1 _____	50	Xerox 6R916/9R917 _____	19		
NEC S2526 _____	45						
				COLOR TONER INSTRUCTIONS			
				DELL 1700 / Lexmark E120 / IBM 4312 _____	63		
				DELL 3100 / Epson C1100 (CX11) _____	64		
				DELL 5100cn _____	65		

Please be advised that some toner refill kits may be compatible with multiple toner cartridges.



[CLICK HERE TO GO THE INDEX](#)

HP - 92298A / X
Canon - EPE
Canon - FX5
Apple - M2473A / G
DEC - LN0XXAA
Lexmark- 140198A / X

REQUIRED FOR A SUCCESSFUL REFILL:

- Toner (Uni-Kit Formula 1A)
- 1 funnel cap
- 1 hole plug
- Toner Hole Making Tool

General Refilling Procedures:

Rest the Hole Making Tool on its stand and plug into an outlet. Wait 3 full minutes before using. Position the copper bit on the cartridge in the spot indicated by the photograph and push gently until it melts a hole in the cartridge. Remove the tool, place it back on its stand and unplug it. If the small piece of plastic has fallen into the cartridge, it must be removed, as this can damage your cartridge or cause print defects. If the piece remains in the tool, wait for the tool to cool down and pry it out.

Before opening the bottle of toner, turn it upside down and tap it on a table to loosen the toner and allow it to flow freely. Remove the cap and pull the seal off the bottle. Attach the funnel cap making to sure it is on tightly. Tilt the funnel cap toward the filling hole and insert it into the hole. If the toner stops flowing before the cartridge is full, simply remove the toner, close the cap, turn the bottle upside down and tap it on a table. Once the cartridge is full seal the hole with the plug.

Do not press down on the plug since the cartridge is resting on a table this can actually damage the photo-optic drum. Instead hold one end of the cartridge up off the table and twist the plug until it fully sealed. Now gently shake the cartridge side to side to distribute the toner.



Please be advised that some toner refill kits may be compatible with multiple toner cartridges.



HP Q2612A

[CLICK HERE TO GO THE INDEX](#)

REQUIRED FOR A SUCCESSFUL REFILL:

- Toner (Uni-Kit Formula 1A)
- 1 funnel cap
- 1 hole plug
- Toner Hole Making Tool

General Refilling Procedures:

Rest the Hole Making Tool on its stand and plug into an outlet. Wait 3 full minutes before using.

Turn the cartridge so that the handle is facing up. Position the copper bit on the cartridge in the spot indicated by the photograph and push gently until it melts a hole in the cartridge. Remove the tool, place it back on its stand and unplug it. If the small piece of plastic has fallen into the cartridge, it must be removed, as this can damage your cartridge or cause print defects. If the piece remains in the tool, wait for the tool to cool down and pry it out.

Before opening the bottle of toner, turn it upside down and tap it on a table to loosen the toner and allow it to flow freely. Remove the cap and pull the seal off the bottle. Attach the funnel cap making to sure it is on tightly. Tilt the funnel cap toward the filling hole and insert it into the hole. If the toner stops flowing before the cartridge is full, simply remove the toner, close the cap, turn the bottle upside down and tap it on a table. Once the cartridge is full seal the hole with the plug.

Do not press down on the plug since the cartridge is resting on a table this can actually damage the photo-optic drum. Instead hold one end of the cartridge up off the table and twist the plug until it fully sealed. Now gently shake the cartridge side to side to distribute the toner.

NOTE: If after the cartridge is refilled and it starts to print gray smudges or smears along the margin, the waste hopper could be full. Please refer to the supplemental instructions (page 2) for emptying the waste hopper.



waste hopper



Waste Hopper Instructions for HP Q2612A:

(Do this procedure over a newspaper)

Turn the cartridge the way it would be inserted into the printer. Using the hole making tool, position the copper bit on the cartridge in the spot indicated by the photograph and push gently until it melts a hole in the cartridge. Once the hole has been made, turn the cartridge over so that the hole is facing the newspaper. Gently rock the cartridge back and forth allowing the toner to fall onto the newspaper. Do this repeatedly to remove as much waste toner as possible. Don't worry about getting all of the toner out. Now clean around hole with a soft dry cloth. Use duct tape to seal the hole.

Please be advised that some toner refill kits may be compatible with multiple toner cartridges.



[CLICK HERE TO GO THE INDEX](#)

HP - C3903A
Canon – FX4
Xerox - 6R905

REQUIRED FOR A SUCCESSFUL REFILL:

- Toner (Uni-Kit Formula 1A)
- 1 funnel cap
- 1 hole plug
- Toner Hole Making Tool

General Refilling Procedures:

Rest the Hole Making Tool on its stand and plug into an outlet. Wait 3 full minutes before using. Position the copper bit on the cartridge in the spot indicated by the photograph and push gently until it melts a hole in the cartridge. Remove the tool, place it back on its stand and unplug it. If the small piece of plastic has fallen into the cartridge, it must be removed, as this can damage your cartridge or cause print defects. If the piece remains in the tool, wait for the tool to cool down and pry it out.

Before opening the bottle of toner, turn it upside down and tap it on a table to loosen the toner and allow it to flow freely. Remove the cap and pull the seal off the bottle. Attach the funnel cap making sure it is on tightly. Tilt the funnel cap toward the filling hole and insert it into the hole. If the toner stops flowing before the cartridge is full, simply remove the toner, close the cap, turn the bottle upside down and tap it on a table. Once the cartridge is full seal the hole with the plug.

Do not press down on the plug since the cartridge is resting on a table this can actually damage the photo-optic drum. Instead hold one end of the cartridge up off the table and twist the plug until it fully sealed. Now gently shake the cartridge side to side to distribute the toner.



Please be advised that some toner refill kits may be compatible with multiple toner cartridges.



[CLICK HERE TO GO THE INDEX](#)

HP – C3906A
Canon – EPA
Canon – FX3
Xerox – 6R908

REQUIRED FOR A SUCCESSFUL REFILL:

- Toner (Uni-Kit Formula 1A)
- 1 funnel cap
- 1 hole plug
- Toner Hole Making Tool

General Refilling Procedures:

Rest the Hole Making Tool on its stand and plug into an outlet. Wait 3 full minutes before using. Position the copper bit on the cartridge in the spot indicated by the photograph and push gently until it melts a hole in the cartridge. Make sure to keep the hole on the flat surface of the cartridge and not on the curved edge. Remove the tool, place it back on its stand and unplug it. If the small piece of plastic has fallen into the cartridge, it must be removed, as this can damage your cartridge or cause print defects. If the piece remains in the tool, wait for the tool to cool down and pry it out.

Before opening the bottle of toner, turn it upside down and tap it on a table to loosen the toner and allow it to flow freely. Remove the cap and pull the seal off the bottle. Attach the funnel cap making to sure it is on tightly. Tilt the funnel cap toward the filling hole and insert it into the hole. If the toner stops flowing before the cartridge is full, simply remove the toner, close the cap, turn the bottle upside down and tap it on a table. Once the cartridge is full seal the hole with the plug.

Do not press down on the plug since the cartridge is resting on a table this can actually damage the photo-optic drum. Instead hold one end of the cartridge up off the table and twist the plug until it fully sealed. Now gently shake the cartridge side to side to distribute the toner.

NOTE: If after the cartridge is refilled and it starts to print gray smudges or smears along the margin, the waste hopper could be full. Please refer to the supplemental instructions (page 2) for emptying the waste hopper.



Please be advised that some toner refill kits may be compatible with multiple toner cartridges.



[CLICK HERE TO GO THE INDEX](#)

HP – C4092A
Xerox – 6R927

REQUIRED FOR A SUCCESSFUL REFILL:

- Toner (Uni-Kit Formula 1A)
- 1 funnel cap
- 1 hole plug
- Toner Hole Making Tool

General Refilling Procedures:

Rest the Hole Making Tool on its stand and plug into an outlet. Wait 3 full minutes before using. Position the copper bit on the cartridge in the spot indicated by the photograph and push gently until it melts a hole in the cartridge. Make sure to keep the hole on the flat surface of the cartridge and not on the curved edge. Remove the tool, place it back on its stand and unplug it. If the small piece of plastic has fallen into the cartridge, it must be removed, as this can damage your cartridge or cause print defects. If the piece remains in the tool, wait for the tool to cool down and pry it out.

Before opening the bottle of toner, turn it upside down and tap it on a table to loosen the toner and allow it to flow freely. Remove the cap and pull the seal off the bottle. Attach the funnel cap making sure it is on tightly. Tilt the funnel cap toward the filling hole and insert it into the hole. If the toner stops flowing before the cartridge is full, simply remove the toner, close the cap, turn the bottle upside down and tap it on a table. Once the cartridge is full seal the hole with the plug.

Do not press down on the plug since the cartridge is resting on a table this can actually damage the photo-optic drum. Instead hold one end of the cartridge up off the table and twist the plug until it fully sealed. Now gently shake the cartridge side to side to distribute the toner.

NOTE: If after the cartridge is refilled and it starts to print gray smudges or smears along the margin, the waste hopper could be full. Please refer to the supplemental instructions (page 2) for emptying the waste hopper.



Please be advised that some toner refill kits may be compatible with multiple toner cartridges.



HP – C4096A
Xerox – 6R928

[CLICK HERE TO GO THE INDEX](#)

REQUIRED FOR A SUCCESSFUL REFILL:

- Toner (Uni-Kit Formula 1A)
- 1 funnel cap
- 1 hole plug
- Toner Hole Making Tool

General Refilling Procedures:

Rest the Hole Making Tool on its stand and plug into an outlet. Wait 3 full minutes before using. Remove the label using a flathead screwdriver. Position the copper bit on the cartridge in the spot indicated by the photograph and push gently until it melts a hole in the cartridge. Remove the tool, place it back on its stand and unplug it. If the small piece of plastic has fallen into the cartridge, it must be removed, as this can damage your cartridge or cause print defects. If the piece remains in the tool, wait for the tool to cool down and pry it out.

Before opening the bottle of toner, turn it upside down and tap it on a table to loosen the toner and allow it to flow freely. Remove the cap and pull the seal off the bottle. Attach the funnel cap making sure it is on tightly. Tilt the funnel cap toward the filling hole and insert it into the hole. If the toner stops flowing before the cartridge is full, simply remove the toner, close the cap, turn the bottle upside down and tap it on a table. Once the cartridge is full seal the hole with the plug.

Do not press down on the plug since the cartridge is resting on a table this can actually damage the photo-optic drum. Instead hold one end of the cartridge up off the table and twist the plug until it fully sealed. Now gently shake the cartridge side to side to distribute the toner.

NOTE: If after the cartridge is refilled and it starts to print gray smudges or smears along the margin, the waste hopper could be full. Please refer to the supplemental instructions (page 2) for emptying the waste hopper.



Please be advised that some toner refill kits may be compatible with multiple toner cartridges.



[CLICK HERE TO GO THE INDEX](#)

Standard Capacity Cartridges
HP- C4127A
Canon – EP52 (Standard yield)
Brother – TN9500 (Standard yield)

REQUIRED FOR A SUCCESSFUL REFILL:

- Toner (Uni-Kit Formula 1A)
- 1 funnel cap
- 1 hole plug
- Toner Hole Making Tool

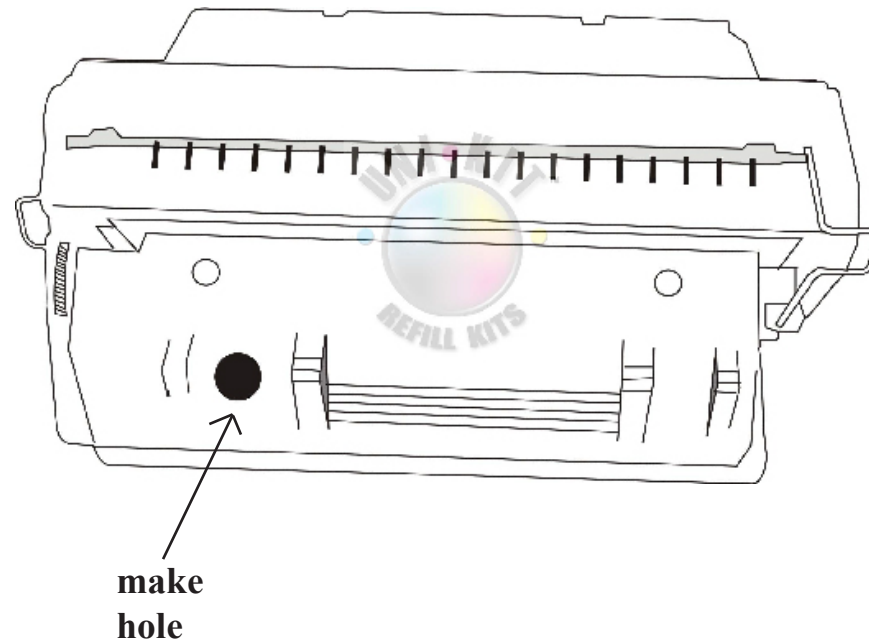
General Refilling Procedures:

Note: Follow these instructions if you are unsure if your cartridge is a standard yield or high yield cartridge.

Rest the Hole Making Tool on its stand and plug into an outlet. Wait 3 full minutes before using. Turn the cartridge over. Position the copper bit on the cartridge in the spot just right of the “waffle” design as indicated by the photograph and push gently until it melts a hole in the cartridge. Remove the tool, place it back on its stand and unplug it. If the small piece of plastic has fallen into the cartridge, it must be removed, as this can damage your cartridge or cause print defects. If the piece remains in the tool, wait for the tool to cool down and pry it out.

Before opening the bottle of toner, turn it upside down and tap it on a table to loosen the toner and allow it to flow freely. Remove the cap and pull the seal off the bottle. Attach the funnel cap making to sure it is on tightly. Tilt the funnel cap toward the filling hole and insert it into the hole. If the toner stops flowing before the cartridge is full, simply remove the toner, close the cap, turn the bottle upside down and tap it on a table. Once the cartridge is full seal the hole with the plug.

Do not press down on the plug since the cartridge is resting on a table this can actually damage the photo-optic drum. Instead hold one end of the cartridge up off the table and twist the plug until it fully sealed. Now gently shake the cartridge side to side to distribute the toner.



Please be advised that some toner refill kits may be compatible with multiple toner cartridges.



[CLICK HERE TO GO THE INDEX](#)

High Capacity Cartridges
HP- C4127X
Canon – EP52 (high yield)
Brother – TN9500 (high yield)
Xerox 6R926

REQUIRED FOR A SUCCESSFUL REFILL:

- Toner (Uni-Kit Formula 1A)
- 1 funnel cap
- 1 hole plug
- Toner Hole Making Tool

General Refilling Procedures:

Note: If you have the standard capacity cartridge, please follow the instructions for the standard capacity cartridge.

Rest the Hole Making Tool on its stand and plug into an outlet. Wait 3 full minutes before using. Position the copper bit on the cartridge in the spot indicated by the photograph and push gently until it melts a hole in the cartridge. Remove the tool, place it back on its stand and unplug it. If the small piece of plastic has fallen into the cartridge, it must be removed, as this can damage your cartridge or cause print defects. If the piece remains in the tool, wait for the tool to cool down and pry it out.

Before opening the bottle of toner, turn it upside down and tap it on a table to loosen the toner and allow it to flow freely. Remove the cap and pull the seal off the bottle. Attach the funnel cap making sure it is on tightly. Tilt the funnel cap toward the filling hole and insert it into the hole. If the toner stops flowing before the cartridge is full, simply remove the toner, close the cap, turn the bottle upside down and tap it on a table. Once the cartridge is full seal the hole with the plug.

Do not press down on the plug since the cartridge is resting on a table this can actually damage the photo-optic drum. Instead hold one end of the cartridge up off the table and twist the plug until it fully sealed. Now gently shake the cartridge side to side to distribute the toner.



Please be advised that some toner refill kits may be compatible with multiple toner cartridges.



Epson – S051023

[CLICK HERE TO GO THE INDEX](#)

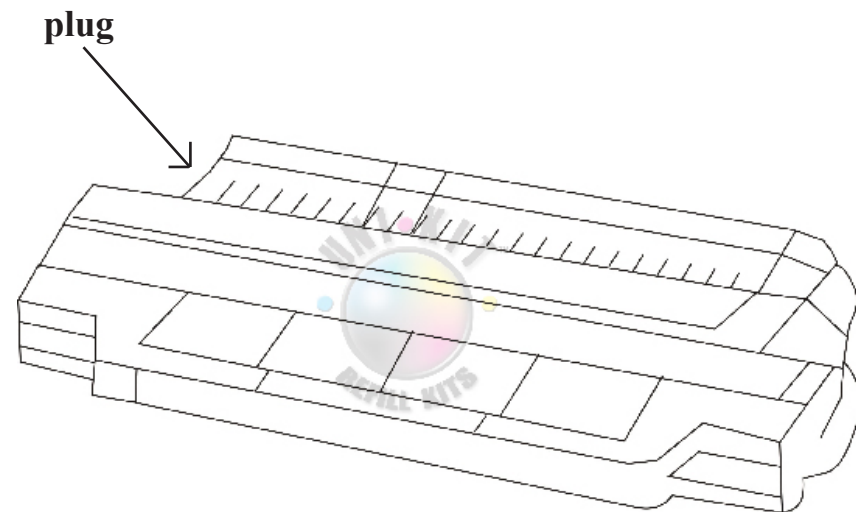
REQUIRED FOR A SUCCESSFUL REFILL:

- Toner (Uni-Kit Formula 4F)
- 1 funnel cap
- 1 hole plug
- Toner Hole Making Tool

General Refilling Procedures:

Use a flathead screwdriver to pop out the large plastic plug found on the side of the side of the cartridge.

Before opening the bottle of toner, turn it upside down and tap it on a table to loosen the toner and allow it to flow freely. Remove the cap and pull the seal off the bottle. Attach the funnel cap making to sure it is on tightly. Tilt the funnel cap toward the filling hole and insert it into the hole. If the toner stops flowing before the cartridge is full, simply remove the toner, close the cap, turn the bottle upside down and tap it on a table. Once the cartridge is full, seal the hole with the plug by twisting it until it is completely seated. Now gently shake the cartridge side to side to distribute the toner.



Please be advised that some toner refill kits may be compatible with multiple toner cartridges.



HP – C7115A/X
Xerox – 6R932

[CLICK HERE TO GO THE INDEX](#)

REQUIRED FOR A SUCCESSFUL REFILL:

- Toner (Uni-Kit Formula 1A)
- 1 funnel cap
- 1 hole plug
- Toner Hole Making Tool

General Refilling Procedures:

Rest the Hole Making Tool on its stand and plug into an outlet. Wait 3 full minutes before using. Position the copper bit on the cartridge in the spot indicated by the photograph and push gently until it melts a hole in the cartridge. Make sure to keep the hole on the flat surface of the cartridge and not on the curved edge. Remove the tool, place it back on its stand and unplug it. If the small piece of plastic has fallen into the cartridge, it must be removed, as this can damage your cartridge or cause print defects. If the piece remains in the tool, wait for the tool to cool down and pry it out.

Before opening the bottle of toner, turn it upside down and tap it on a table to loosen the toner and allow it to flow freely. Remove the cap and pull the seal off the bottle. Attach the funnel cap making to sure it is on tightly. Tilt the funnel cap toward the filling hole and insert it into the hole. If the toner stops flowing before the cartridge is full, simply remove the toner, close the cap, turn the bottle upside down and tap it on a table. Once the cartridge is full seal the hole with the plug.

Do not press down on the plug since the cartridge is resting on a table this can actually damage the photo-optic drum. Instead hold one end of the cartridge up off the table and twist the plug until it fully sealed. Now gently shake the cartridge side to side to distribute the toner.

NOTE: If after the cartridge is refilled and it starts to print gray smudges or smears along the margin, the waste hopper could be full. Please refer to the supplemental instructions (page 2) for emptying the waste hopper.



Please be advised that some toner refill kits may be compatible with multiple toner cartridges.



HP – C7115X

[CLICK HERE TO GO THE INDEX](#)

REQUIRED FOR A SUCCESSFUL REFILL:

- Toner (Uni-Kit Formula 1A)
- 1 funnel cap
- 1 hole plug
- Toner Hole Making Tool

General Refilling Procedures:

Rest the Hole Making Tool on its stand and plug into an outlet. Wait 3 full minutes before using. Position the copper bit on the cartridge in the spot indicated by the photograph and push gently until it melts a hole in the cartridge. Make sure to keep the hole on the flat surface of the cartridge and not on the curved edge. Remove the tool, place it back on its stand and unplug it. If the small piece of plastic has fallen into the cartridge, it must be removed, as this can damage your cartridge or cause print defects. If the piece remains in the tool, wait for the tool to cool down and pry it out.

Before opening the bottle of toner, turn it upside down and tap it on a table to loosen the toner and allow it to flow freely. Remove the cap and pull the seal off the bottle. Attach the funnel cap making sure it is on tightly. Tilt the funnel cap toward the filling hole and insert it into the hole. If the toner stops flowing before the cartridge is full, simply remove the toner, close the cap, turn the bottle upside down and tap it on a table. Once the cartridge is full seal the hole with the plug.

Do not press down on the plug since the cartridge is resting on a table this can actually damage the photo-optic drum. Instead hold one end of the cartridge up off the table and twist the plug until it fully sealed. Now gently shake the cartridge side to side to distribute the toner.

NOTE: If after the cartridge is refilled and it starts to print gray smudges or smears along the margin, the waste hopper could be full. Please refer to the supplemental instructions (page 2) for emptying the waste hopper.



Please be advised that some toner refill kits may be compatible with multiple toner cartridges.



[CLICK HERE TO GO THE INDEX](#)

HP – C8061X
Xerox – 6R933

REQUIRED FOR A SUCCESSFUL REFILL:

- Toner (Uni-Kit Formula 1A)
- 1 funnel cap
- 1 hole plug
- Toner Hole Making Tool

General Refilling Procedures:

Rest the Hole Making Tool on its stand and plug into an outlet. Wait 3 full minutes before using. Position the copper bit on the cartridge in the spot indicated by the photograph and push gently until it melts a hole in the cartridge. Make sure to keep the hole on the flat surface of the cartridge and not on the curved edge. Remove the tool, place it back on its stand and unplug it. If the small piece of plastic has fallen into the cartridge, it must be removed, as this can damage your cartridge or cause print defects. If the piece remains in the tool, wait for the tool to cool down and pry it out.

Before opening the bottle of toner, turn it upside down and tap it on a table to loosen the toner and allow it to flow freely. Remove the cap and pull the seal off the bottle. Attach the funnel cap making to sure it is on tightly. Tilt the funnel cap toward the filling hole and insert it into the hole. If the toner stops flowing before the cartridge is full, simply remove the toner, close the cap, turn the bottle upside down and tap it on a table. Once the cartridge is full seal the hole with the plug.

Do not press down on the plug since the cartridge is resting on a table this can actually damage the photo-optic drum. Instead hold one end of the cartridge up off the table and twist the plug until it fully sealed. Now gently shake the cartridge side to side to distribute the toner.



Please be advised that some toner refill kits may be compatible with multiple toner cartridges.



HP – Q2610A

[CLICK HERE TO GO THE INDEX](#)

REQUIRED FOR A SUCCESSFUL REFILL:

- Toner (Uni-Kit Formula 1A)
- 1 funnel cap
- 1 hole plug
- Toner Hole Making Tool

General Refilling Procedures:

Rest the Hole Making Tool on its stand and plug into an outlet. Wait 3 full minutes before using. Position the copper bit on the cartridge in the spot indicated by the photograph and push gently until it melts a hole in the cartridge. Remove the tool, place it back on its stand and unplug it. If the small piece of plastic has fallen into the cartridge, it must be removed, as this can damage your cartridge or cause print defects. If the piece remains in the tool, wait for the tool to cool down and pry it out.

Before opening the bottle of toner, turn it upside down and tap it on a table to loosen the toner and allow it to flow freely. Remove the cap and pull the seal off the bottle. Attach the funnel cap making to sure it is on tightly. Tilt the funnel cap toward the filling hole and insert it into the hole. If the toner stops flowing before the cartridge is full, simply remove the toner, close the cap, turn the bottle upside down and tap it on a table. Once the cartridge is full seal the hole with the plug.

Do not press down on the plug since the cartridge is resting on a table this can actually damage the photo-optic drum. Instead hold one end of the cartridge up off the table and twist the plug until it fully sealed. Now gently shake the cartridge side to side to distribute the toner.

NOTE: If after the cartridge is refilled and it starts to print gray smudges or smears along the margin, the waste hopper could be full. Please refer to the supplemental instructions (page 2) for emptying the waste hopper.



Please be advised that some toner refill kits may be compatible with multiple toner cartridges.



HP – Q2613A / X

[CLICK HERE TO GO THE INDEX](#)

REQUIRED FOR A SUCCESSFUL REFILL:

- Toner (Uni-Kit Formula 1A)
- 1 funnel cap
- 1 hole plug
- Toner Hole Making Tool

General Refilling Procedures:

Rest the Hole Making Tool on its stand and plug into an outlet. Wait 3 full minutes before using. Position the copper bit on the cartridge in the spot indicated by the photograph and push gently until it melts a hole in the cartridge. Remove the tool, place it back on its stand and unplug it. If the small piece of plastic has fallen into the cartridge, it must be removed, as this can damage your cartridge or cause print defects. If the piece remains in the tool, wait for the tool to cool down and pry it out.

Before opening the bottle of toner, turn it upside down and tap it on a table to loosen the toner and allow it to flow freely. Remove the cap and pull the seal off the bottle. Attach the funnel cap making to sure it is on tightly. Tilt the funnel cap toward the filling hole and insert it into the hole. If the toner stops flowing before the cartridge is full, simply remove the toner, close the cap, turn the bottle upside down and tap it on a table. Once the cartridge is full seal the hole with the plug.

Do not press down on the plug since the cartridge is resting on a table this can actually damage the photo-optic drum. Instead hold one end of the cartridge up off the table and twist the plug until it fully sealed. Now gently shake the cartridge side to side to distribute the toner.



Please be advised that some toner refill kits may be compatible with multiple toner cartridges.



HP – Q2624A

[CLICK HERE TO GO THE INDEX](#)

REQUIRED FOR A SUCCESSFUL REFILL:

- Toner (Uni-Kit Formula 1A)
- 1 funnel cap
- 1 hole plug
- Toner Hole Making Tool

General Refilling Procedures:

Rest the Hole Making Tool on its stand and plug into an outlet. Wait 3 full minutes before using. Position the copper bit on the cartridge in the spot indicated by the photograph and push gently until it melts a hole in the cartridge. Make sure to keep the hole on the flat surface of the cartridge and not on the curved edge. Remove the tool, place it back on its stand and unplug it. If the small piece of plastic has fallen into the cartridge, it must be removed, as this can damage your cartridge or cause print defects. If the piece remains in the tool, wait for the tool to cool down and pry it out.

Before opening the bottle of toner, turn it upside down and tap it on a table to loosen the toner and allow it to flow freely. Remove the cap and pull the seal off the bottle. Attach the funnel cap making sure it is on tightly. Tilt the funnel cap toward the filling hole and insert it into the hole. If the toner stops flowing before the cartridge is full, simply remove the toner, close the cap, turn the bottle upside down and tap it on a table. Once the cartridge is full seal the hole with the plug.

Do not press down on the plug since the cartridge is resting on a table this can actually damage the photo-optic drum. Instead hold one end of the cartridge up off the table and twist the plug until it fully sealed. Now gently shake the cartridge side to side to distribute the toner.

NOTE: If after the cartridge is refilled and it starts to print gray smudges or smears along the margin, the waste hopper could be full. Please refer to the supplemental instructions (page 2) for emptying the waste hopper.



Please be advised that some toner refill kits may be compatible with multiple toner cartridges.



HP – Q5949A

[CLICK HERE TO GO THE INDEX](#)

REQUIRED FOR A SUCCESSFUL REFILL:

- Toner (Uni-Kit Formula 1A)
- 1 funnel cap
- 1 hole plug
- Toner Hole Making Tool

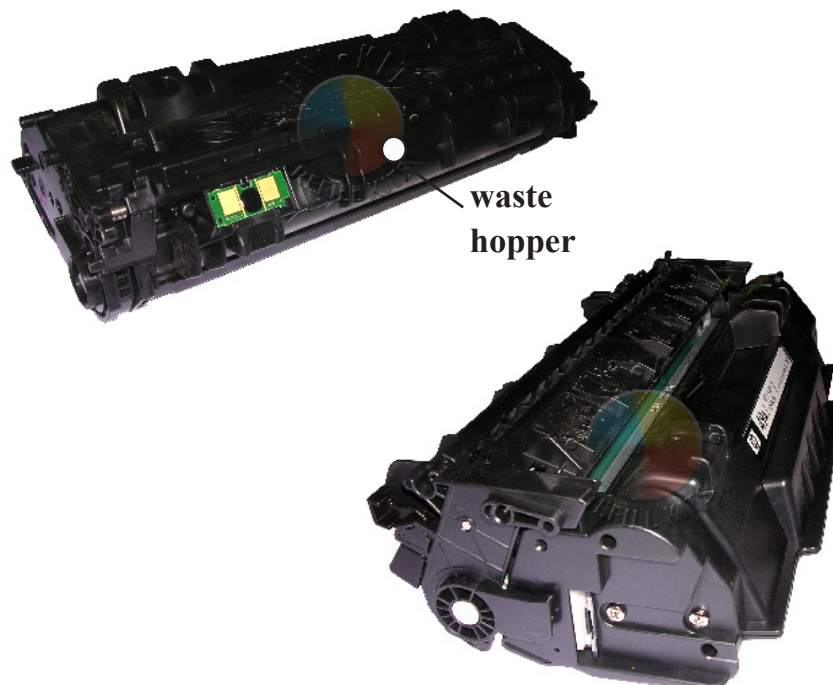
General Refilling Procedures:

Rest the Hole Making Tool on its stand and plug into an outlet. Wait 3 full minutes before using. Position the copper bit on the cartridge in the spot indicated by the photograph and push gently until it melts a hole in the cartridge. Remove the tool, place it back on its stand and unplug it. If the small piece of plastic has fallen into the cartridge, it must be removed, as this can damage your cartridge or cause print defects. If the piece remains in the tool, wait for the tool to cool down and pry it out.

Before opening the bottle of toner, turn it upside down and tap it on a table to loosen the toner and allow it to flow freely. Remove the cap and pull the seal off the bottle. Attach the funnel cap making to sure it is on tightly. Tilt the funnel cap toward the filling hole and insert it into the hole. If the toner stops flowing before the cartridge is full, simply remove the toner, close the cap, turn the bottle upside down and tap it on a table. Once the cartridge is full seal the hole with the plug.

Do not press down on the plug since the cartridge is resting on a table this can actually damage the photo-optic drum. Instead hold one end of the cartridge up off the table and twist the plug until it fully sealed. Now gently shake the cartridge side to side to distribute the toner.

NOTE: If after the cartridge is refilled and it starts to print gray smudges or smears along the margin, the waste hopper could be full. Please refer to the supplemental instructions (page 2) for emptying the waste hopper.



Please be advised that some toner refill kits may be compatible with multiple toner cartridges.



Brother – TN350

[CLICK HERE TO GO THE INDEX](#)

REQUIRED FOR A SUCCESSFUL REFILL:

- Toner (Uni-Kit Formula 7A)
- 1 funnel cap
- 1 hole plug
- Toner Hole Making Tool

General Refilling Procedures:

Use a flathead screwdriver to pop out the large plastic plug found on the side of the side of the cartridge.

Before opening the bottle of toner, turn it upside down and tap it on a table to loosen the toner and allow it to flow freely. Remove the cap and pull the seal off the bottle. Attach the funnel cap making sure it is on tightly. Tilt the funnel cap toward the filling hole and insert it into the hole. If the toner stops flowing before the cartridge is full, simply remove the toner, close the cap, turn the bottle upside down and tap it on a table. Once the cartridge is full, seal the hole with the plug by twisting it until it is completely seated. Now gently shake the cartridge side to side to distribute the toner.



Please be advised that some toner refill kits may be compatible with multiple toner cartridges.



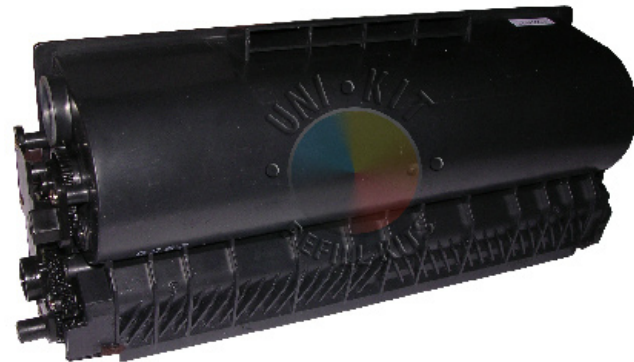
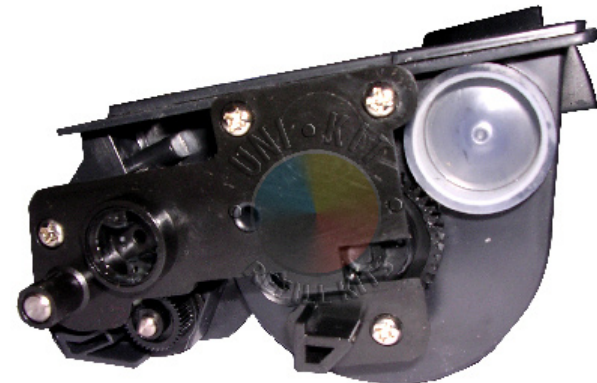
Brother – TN540 / 550 / 570 / 580

[CLICK HERE TO GO THE INDEX](#)

General Refilling Procedures:

Use a flathead screwdriver to pop out the large plastic plug found on the side of the side of the cartridge.

Before opening the bottle of toner, turn it upside down and tap it on a table to loosen the toner and allow it to flow freely. Remove the cap and pull the seal off the bottle. Attach the funnel cap making sure it is on tightly. Tilt the funnel cap toward the filling hole and insert it into the hole. If the toner stops flowing before the cartridge is full, simply remove the toner, close the cap, turn the bottle upside down and tap it on a table. Once the cartridge is full, seal the hole with the plug by twisting it until it is completely seated. Now gently shake the cartridge side to side to distribute the toner.



Please be advised that some toner refill kits may be compatible with multiple toner cartridges.



XEROX 6R916 / 9R917

[CLICK HERE TO GO THE INDEX](#)

REQUIRED FOR A SUCCESSFUL REFILL:

- Toner (Uni-Kit Formula 7A)
- 1 funnel cap

General Refilling Procedures:

1. First you need to locate the plastic SEALING PLUG similar to the one shown in this diagram.
2. Slowly and gently, pry the SEALING PLUG away from the cartridge using a flat screwdriver - this reveals the filling hole.
3. Refill by pouring toner into the fill hole through the nozzle attached to the toner bottle.
4. Replace the plug when finished refilling.



Please be advised that some toner refill kits may be compatible with multiple toner cartridges.



MINOLTA 1300 / 1350

[CLICK HERE TO GO THE INDEX](#)

REQUIRED FOR A SUCCESSFUL REFILL:

- Toner
- 1 funnel cap
- 1 replacement chip

General Refilling Procedures:

1. First you need to locate the plastic SEALING PLUG similar to the one shown in this diagram. To access the plug, you may need to remove some screws which hold the END CAP over this plug.
2. Once the plastic sealing plug is viewable, slowly and gently, pry the SEALING PLUG away from the cartridge using a flat screwdriver – this reveals the filling hole.
3. Refill by pouring toner into the fill hole through the nozzle attached to the toner bottle.
4. Replace the plug when finished refilling
5. This cartridge has a MEMORY CHIP which needs to be replaced in order for the printer to sense that there is toner in the cartridge. Simply remove the old chip by unscrewing the 2 screws that hold it in place, and screw the new replacement chip in its place.



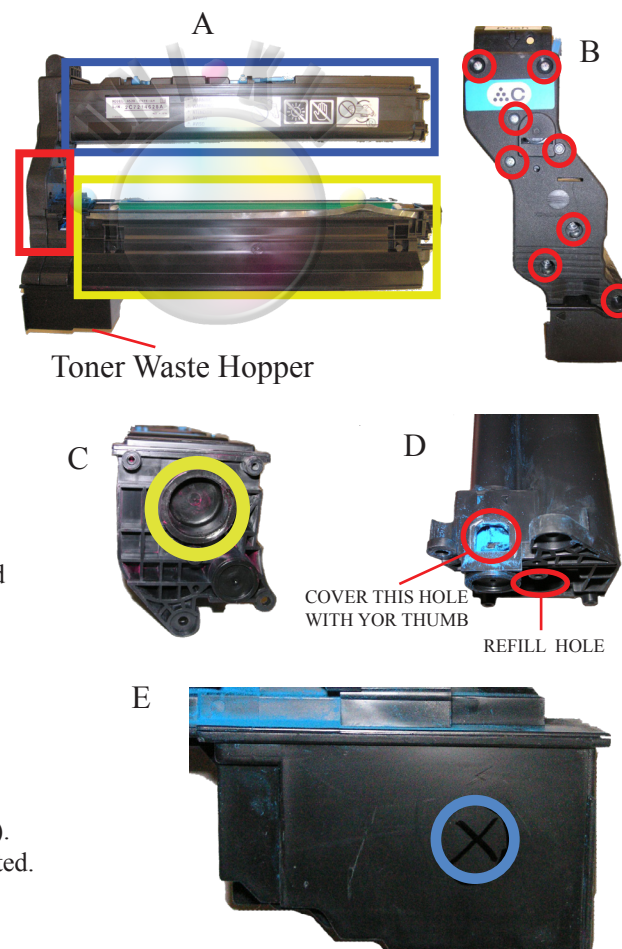
Please be advised that some toner refill kits may be compatible with multiple toner cartridges.



MINOLTA 5430

[CLICK HERE TO GO THE INDEX](#)

1. Always refill at a workbench or outside and in a well ventilated environment where you can tolerate a spill.
2. **IMPORTANT:** Complete removal of the original toner is necessary before you refill with Uni-Kit toner. Failure to completely remove any remaining original toner may result in blotchy prints or a leaking cartridge.
3. In picture A, the toner hopper unit is situated at the top (Blue rectangle), with the developer section at the bottom (Yellow Rectangle), and the chip section to the left (Red rectangle). The 8 screws along the left hand side (8 screws circled in red in picture B) need to be removed in order to give access to the sections seen in picture A. Please be very careful when pulling apart the sides of the cartridge, there are loose gears that might fall out during the process. If this happens, refer to picture G as a reference to how the gears are in place correctly.
4. The refill hole is located on the toner hopper unit, and can be refilled by removing the plastic plug (The plastic plug is circled in yellow in picture C). **IMPORTANT:** There is a hole on the bottom part of the toner hopper that needs to be covered when refilling the cartridge. You can use your thumb to cover this hole as you refill the cartridge. When you are done refilling the toner hopper, plug it with the large plug we provided you with and place the toner hopper section down with the hole in picture D facing upward.
5. The next step requires you to empty the toner waste hopper which is located in the bottom back side of the the cartridge (Please refer to picture A as a reference). Picture A shows the front side of the waste hopper to be located on the bottom left hand side. In picture E we show the back side of the toner waste hopper. With the hole making tool, carefully and cautiously, create a hole in reference to the blue circle in picture E. Once you have created this hole, it is safe to unplug the tool and rest it aside on the holder (Please be caution that the tool will remain very hot for several minutes and is recommended for it to be placed out of harms way). Please empty as much of the toner as possible from the toner waste hopper through the hole you have just created. Once you are finished, plug the hole with the smaller toner plug provided in your refill kit or use duct tape (electrical tape will also work) to securely seal the hole.
6. Please Continue to the next page for instructions on replacing the chip (Do not reassemble the cartridge at this time).



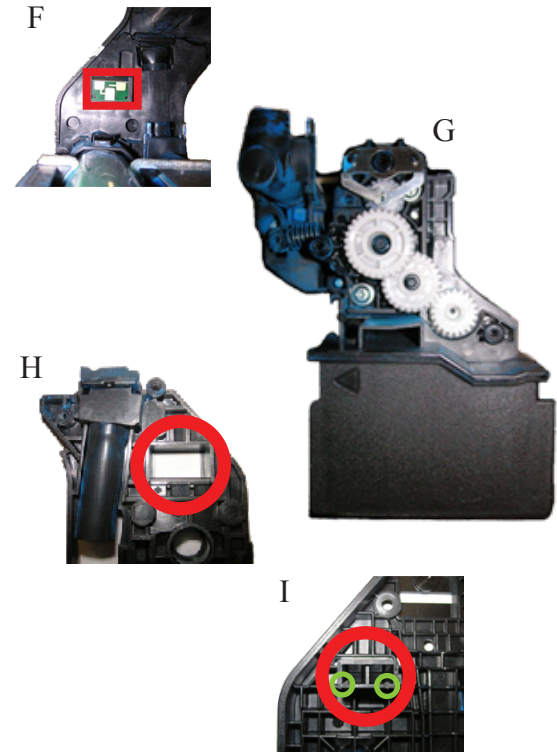


MINOLTA 5430 SMARTCHIP REPLACEMENT

[CLICK HERE TO GO THE INDEX](#)

Continued from page 21

7. If you haven't done so already, disconnect the developer section of the cartridge (Please refer to the refill Instructions and look at picture A).
8. In picture F we see the OEM chip as it sits in the cartridge. The OEM chip is cradled between the cartridge. In order to remove or replace this chip, all screws from picture B (Picture B is on page 21) must be removed to expose the inner side of the compartment. Be very careful when pulling apart the sides of the cartridge, there are loose gears that might fall out during the process. If this happens, refer to picture G as a reference to how the gears are in place correctly.
9. Picture H and I show you the inside to where the chip is chambered. Picture H is the inside look of Picture F (this is so you get a better understanding on how the chip is cradled). In picture I, the chip holder is highlighted with a red circle. As you can see, there are small pins that allow the OEM chip be held in place (pins are circled green in picture I). Before installing the replacement chip, you will need to clip away these pins in order for the replacement chip to fit properly. Once you have done this, you will drop the chip inside the compartment circled in red in picture H. The correct position of the chip should be to that in picture F. Now carefully combine both pieces from picture H and I together to lock the chip in correctly.
10. You can now reassemble the entire cartridge. **IMPORTANT:** Remember to be careful when putting the toner hopper back in place. Some toner may and can fall out from the small hole in picture D (Picture D is on page 21). Once you are finished reassembling the cartridge, shake the cartridge side to side to distribute the toner.



Please be advised that some toner refill kits may be compatible with multiple toner cartridges.



Brother – TN250

[CLICK HERE TO GO THE INDEX](#)

REQUIRED FOR A SUCCESSFUL REFILL:

- Toner (Uni-Kit Formula 7A)
- 1 funnel cap
- 1 hole plug

General Refilling Procedures:

Using your thumb, lift up the black plastic tab so that it unlocks from the cartridge body. Rotate the entire black piece toward you. This will reveal a toner filling port.

Before opening the bottle of toner, turn it upside down and tap it on a table to loosen the toner and allow it to flow freely. Remove the cap and pull the seal off the bottle. Attach the funnel cap making to sure it is on tightly. Tilt the funnel cap toward the filling hole and insert it into the hole. If the toner stops flowing before the cartridge is full, simply remove the toner, close the cap, turn the bottle upside down and tap it on a table. Once the cartridge is full, twist the entire black plastic piece away from you until the tab locks back in place.



Please be advised that some toner refill kits may be compatible with multiple toner cartridges.



Brother – TN430/460/560

[CLICK HERE TO GO THE INDEX](#)

REQUIRED FOR A SUCCESSFUL REFILL:

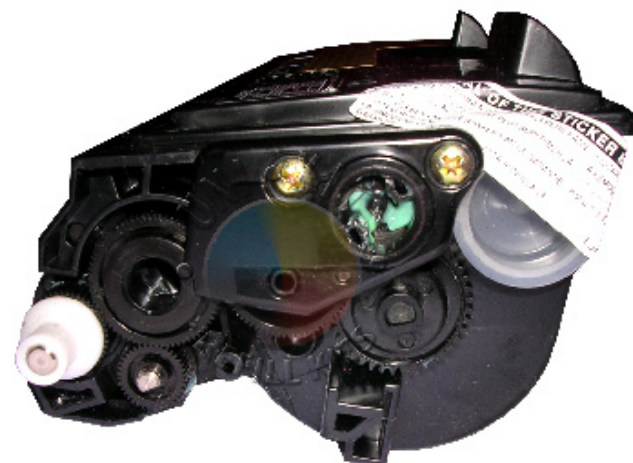
- Toner (Uni-Kit Formula 7A)
- 1 funnel cap
- 1 hole plug
- Toner Hole Making Tool

General Refilling Procedures:

CRITICAL NOTE: You must remove all of the remaining old toner BEFORE refilling otherwise you will get gray hazy prints.

Use a flathead screwdriver to pop out the large plastic plug found on the side of the side of the cartridge.

Before opening the bottle of toner, turn it upside down and tap it on a table to loosen the toner and allow it to flow freely. Remove the cap and pull the seal off the bottle. Attach the funnel cap making to sure it is on tightly. Tilt the funnel cap toward the filling hole and insert it into the hole. If the toner stops flowing before the cartridge is full, simply remove the toner, close the cap, turn the bottle upside down and tap it on a table. Once the cartridge is full, seal the hole with the plug by twisting it until it is completely seated. Now gently shake the cartridge side to side to distribute the toner.



Please be advised that some toner refill kits may be compatible with multiple toner cartridges.



HP – 92291A

[CLICK HERE TO GO THE INDEX](#)

REQUIRED FOR A SUCCESSFUL REFILL:

- Toner (Uni-Kit Formula 1A)
- 1 funnel cap
- 1 hole plug
- Toner Hole Making Tool

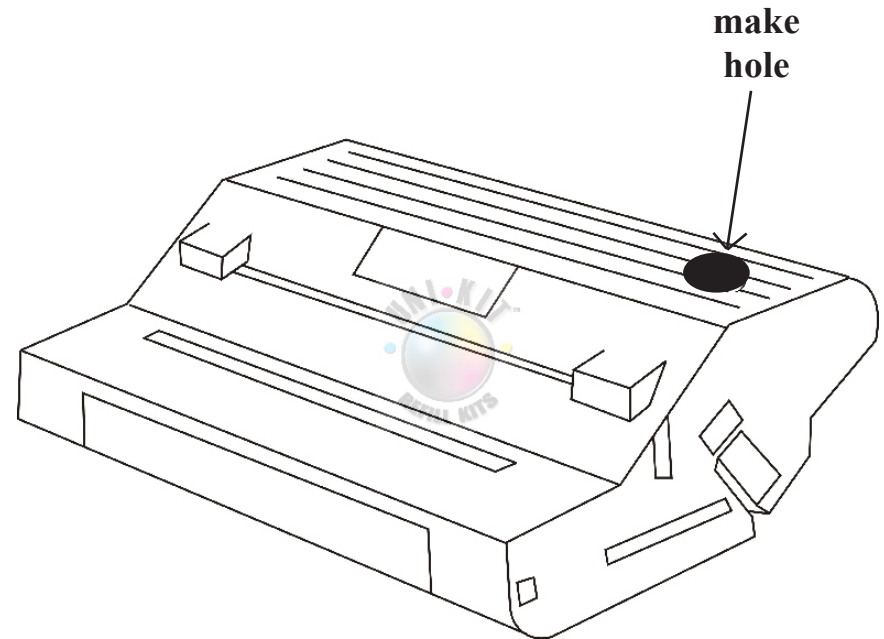
General Refilling Procedures:

Rest the Hole Making Tool on its stand and plug into an outlet. Wait 3 full minutes before using. Position the copper bit on the cartridge in the spot indicated by the photograph and push gently until it melts a hole in the cartridge. Make sure to keep the hole on the flat surface of the cartridge and not on the curved edge. Remove the tool, place it back on its stand and unplug it. If the small piece of plastic has fallen into the cartridge, it must be removed, as this can damage your cartridge or cause print defects. If the piece remains in the tool, wait for the tool to cool down and pry it out.

Before opening the bottle of toner, turn it upside down and tap it on a table to loosen the toner and allow it to flow freely. Remove the cap and pull the seal off the bottle. Attach the funnel cap making to sure it is on tightly. Tilt the funnel cap toward the filling hole and insert it into the hole. If the toner stops flowing before the cartridge is full, simply remove the toner, close the cap, turn the bottle upside down and tap it on a table. Once the cartridge is full seal the hole with the plug.

Do not press down on the plug since the cartridge is resting on a table this can actually damage the photo-optic drum. Instead hold one end of the cartridge up off the table and twist the plug until it fully sealed. Now gently shake the cartridge side to side to distribute the toner.

NOTE: If after the cartridge is refilled and it starts to print gray smudges or smears along the margin, the waste hopper could be full. Please refer to the supplemental instructions (page 2) for emptying the waste hopper.



Please be advised that some toner refill kits may be compatible with multiple toner cartridges.



Canon - E16/E20/E31/E40

[CLICK HERE TO GO THE INDEX](#)

REQUIRED FOR A SUCCESSFUL REFILL:

- Toner (Uni-Kit Formula 2A)
- 1 funnel cap
- 1 hole plug
- Toner Hole Making Tool

General Refilling Procedures:

Rest the Hole Making Tool on its stand and plug into an outlet. Wait 3 full minutes before using. Position the copper bit on the cartridge in the spot indicated by the photograph and push gently until it melts a hole in the cartridge. Remove the tool, place it back on its stand and unplug it. If the small piece of plastic has fallen into the cartridge, it must be removed, as this can damage your cartridge or cause print defects. If the piece remains in the tool, wait for the tool to cool down and pry it out.

Before opening the bottle of toner, turn it upside down and tap it on a table to loosen the toner and allow it to flow freely. Remove the cap and pull the seal off the bottle. Attach the funnel cap making to sure it is on tightly. Tilt the funnel cap toward the filling hole and insert it into the hole. If the toner stops flowing before the cartridge is full, simply remove the toner, close the cap, turn the bottle upside down and tap it on a table. Once the cartridge is full seal the hole with the plug.

Do not press down on the plug since the cartridge is resting on a table this can actually damage the photo-optic drum. Instead hold one end of the cartridge up off the table and twist the plug until it fully sealed. Now gently shake the cartridge side to side to distribute the toner.

NOTE: If after the cartridge is refilled and it starts to print gray smudges or smears along the margin, the waste hopper could be full. Please refer to the supplemental instructions (page 2) for emptying the waste hopper.



Please be advised that some toner refill kits may be compatible with multiple toner cartridges.



Canon - L50

[CLICK HERE TO GO THE INDEX](#)

REQUIRED FOR A SUCCESSFUL REFILL:

- Toner (Uni-Kit Formula 1A)
- 1 funnel cap
- 1 hole plug
- Toner Hole Making Tool

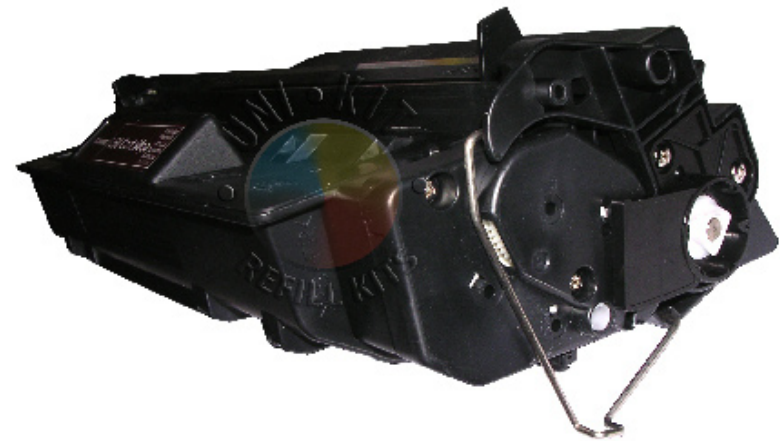
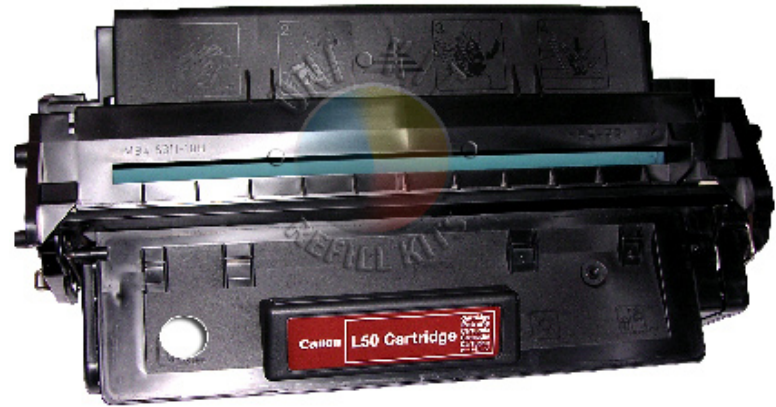
General Refilling Procedures:

Rest the Hole Making Tool on its stand and plug into an outlet. Wait 3 full minutes before using. Remove the label using a flathead screwdriver. Position the copper bit on the cartridge in the spot indicated by the photograph and push gently until it melts a hole in the cartridge. Remove the tool, place it back on its stand and unplug it. If the small piece of plastic has fallen into the cartridge, it must be removed, as this can damage your cartridge or cause print defects. If the piece remains in the tool, wait for the tool to cool down and pry it out.

Before opening the bottle of toner, turn it upside down and tap it on a table to loosen the toner and allow it to flow freely. Remove the cap and pull the seal off the bottle. Attach the funnel cap making to sure it is on tightly. Tilt the funnel cap toward the filling hole and insert it into the hole. If the toner stops flowing before the cartridge is full, simply remove the toner, close the cap, turn the bottle upside down and tap it on a table. Once the cartridge is full seal the hole with the plug.

Do not press down on the plug since the cartridge is resting on a table this can actually damage the photo-optic drum. Instead hold one end of the cartridge up off the table and twist the plug until it fully sealed. Now gently shake the cartridge side to side to distribute the toner.

NOTE: If after the cartridge is refilled and it starts to print gray smudges or smears along the margin, the waste hopper could be full. Please refer to the supplemental instructions (page 2) for emptying the waste hopper.



Please be advised that some toner refill kits may be compatible with multiple toner cartridges.



[CLICK HERE TO GO THE INDEX](#)

Canon – S35
Canon – X25

REQUIRED FOR A SUCCESSFUL REFILL:

- Toner (Uni-Kit Formula 1A)
- 1 funnel cap
- 1 hole plug
- Toner Hole Making Tool

General Refilling Procedures:

Rest the Hole Making Tool on its stand and plug into an outlet. Wait 3 full minutes before using. Position the copper bit on the cartridge in the spot indicated by the photograph and push gently until it melts a hole in the cartridge. Make sure to keep the hole on the flat surface of the cartridge and not on the curved edge. Remove the tool, place it back on its stand and unplug it. If the small piece of plastic has fallen into the cartridge, it must be removed, as this can damage your cartridge or cause print defects. If the piece remains in the tool, wait for the tool to cool down and pry it out.

Before opening the bottle of toner, turn it upside down and tap it on a table to loosen the toner and allow it to flow freely. Remove the cap and pull the seal off the bottle. Attach the funnel cap making to sure it is on tightly. Tilt the funnel cap toward the filling hole and insert it into the hole. If the toner stops flowing before the cartridge is full, simply remove the toner, close the cap, turn the bottle upside down and tap it on a table. Once the cartridge is full seal the hole with the plug.

Do not press down on the plug since the cartridge is resting on a table this can actually damage the photo-optic drum. Instead hold one end of the cartridge up off the table and twist the plug until it fully sealed. Now gently shake the cartridge side to side to distribute the toner.

NOTE: If after the cartridge is refilled and it starts to print gray smudges or smears along the margin, the waste hopper could be full. Please refer to the supplemental instructions (page 2) for emptying the waste hopper.



Waste Hopper Instructions for Canon S35 / X25:
(Do this procedure over a newspaper)

Turn the cartridge right side up. Using the hole making tool, position the copper bit on the cartridge in the spot indicated by the photograph and push gently until it melts a hole in the cartridge. Once the hole has been made, turn the cartridge over so that the hole is facing the newspaper. Gently rock the cartridge back and forth allowing the toner to fall onto the newspaper. Do this repeatedly to remove as much waste toner as possible. Don't worry about getting all of the toner out. Now clean around hole with a soft dry cloth. Use duct tape to seal the hole.

Please be advised that some toner refill kits may be compatible with multiple toner cartridges.



[CLICK HERE TO GO THE INDEX](#)

Dell S-35
Lexmark 08A0477
Lexmark 08A0478

REQUIRED FOR A SUCCESSFUL REFILL:

- Toner
- 1 funnel cap
- 1 hole plug
- Toner Hole Making Tool

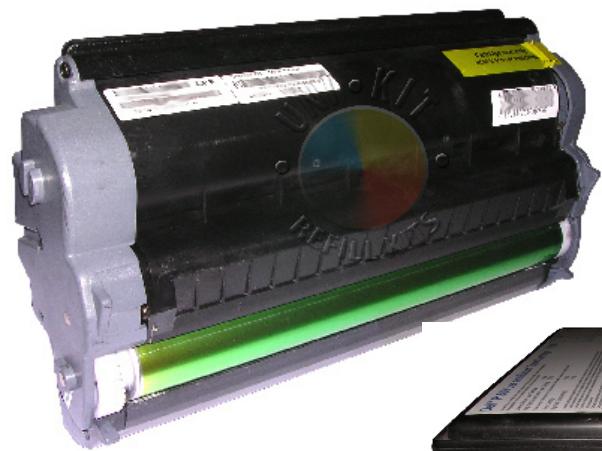
General Refilling Procedures:

Rest the Hole Making Tool on its stand and plug into an outlet. Wait 3 full minutes before using. Remove the label using a flathead screwdriver. Position the copper bit on the cartridge in the spot indicated by the photograph and push gently until it melts a hole in the cartridge. Remove the tool, place it back on its stand and unplug it. If the small piece of plastic has fallen into the cartridge, it must be removed, as this can damage your cartridge or cause print defects. If the piece remains in the tool, wait for the tool to cool down and pry it out.

Before opening the bottle of toner, turn it upside down and tap it on a table to loosen the toner and allow it to flow freely. Remove the cap and pull the seal off the bottle. Attach the funnel cap making to sure it is on tightly. Tilt the funnel cap toward the filling hole and insert it into the hole. If the toner stops flowing before the cartridge is full, simply remove the toner, close the cap, turn the bottle upside down and tap it on a table. Once the cartridge is full seal the hole with the plug.

Do not press down on the plug since the cartridge is resting on a table this can actually damage the photo-optic drum. Instead hold one end of the cartridge up off the table and twist the plug until it fully sealed. Now gently shake the cartridge side to side to distribute the toner.

NOTE: If after the cartridge is refilled and it starts to print gray smudges or smears along the margin, the waste hopper could be full. Please refer to the supplemental instructions (page 2) for emptying the waste hopper.



Please be advised that some toner refill kits may be compatible with multiple toner cartridges.



Lexmark E220 / E321 / E323 Dell P1500 IBM InfoPrint 1312

[CLICK HERE TO GO THE INDEX](#)



General Refilling Procedures:

Rest the Hole Making Tool on its stand and plug into an outlet. Wait 3 full minutes before using. Position the copper bit on the cartridge in the spot indicated by the photograph and push gently until it melts a hole in the cartridge. Remove the tool, place it back on its stand and unplug it. If the small piece of plastic has fallen into the cartridge, it must be removed, as this can damage your cartridge or cause print defects. If the piece remains in the tool, wait for the tool to cool down and pry it out.

Before opening the bottle of toner, turn it upside down and tap it on a table to loosen the toner and allow it to flow freely. Remove the cap and pull the seal off the bottle. Attach the funnel cap making sure it is on tightly. Tilt the funnel cap toward the filling hole and insert it into the hole. If the toner stops flowing before the cartridge is full, simply remove the toner, close the cap, turn the bottle upside down and tap it on a table. Once the cartridge is full seal the hole with the plug.

Do not press down on the plug since the cartridge is resting on a table this can actually damage the photo-optic drum. Instead hold one end of the cartridge up off the table and twist the plug until it fully sealed. Now gently shake the cartridge side to side to distribute the toner. Important: These cartridges have a chip that needs to be replaced in order for the printer to recognize the refilled cartridge. This chip is located on the side of the cartridge as shown in the picture. To access the chip, you need to unscrew three (3) screws on the end-cap of the cartridge around the chip. **BE VERY CAREFUL** when removing the end cap because there is a spring that could fall loose. You need to remove this spring in order for the cap to come off completely. Make sure you notice where the spring is so you can put it back the same way. Also **BE VERY CAREFUL** when removing the cap so that the gears on the inside of the endcap do not fall out, if they do you need to place them back. Once the cap has been removed, you will be able to remove the old chip. You have to now install a new compatible chip, making sure the contacts are positioned as in the diagram here. Carefully replace the end cap after you have installed the new chip.

Please be advised that some toner refill kits may be compatible with multiple toner cartridges.



DELL P1600

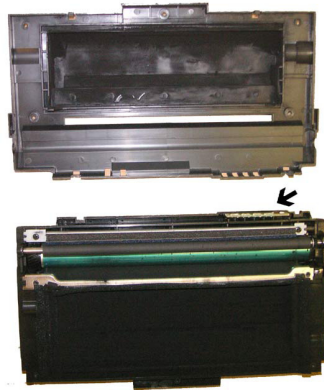
[CLICK HERE TO GO THE INDEX](#)

BEFORE YOU REFILL THIS CARTRIDGE, it is necessary to open the cartridge and replace the smartchip. Be sure to do this at a workbench, outside, or anywhere where you can tolerate a spill. If you are careful there will be no spill.

- 1) Allow the cartridge to rest on a flat surface with the top of the cartridge facing up, like the picture below.
- 2) Using a screwdriver, remove the 5 screws that are located on the TOP of the cartridge as shown
- 3) Slowly remove the top cover of the cartridge
- 4) You have now separated the cartridge into 2 parts (the cover, and the underlying part)
- 5) Locate the smartchip as shown in the image below, and replace it with a new replacement chip
- 6) Now replace the cover of the cartridge and replace all 5 screws, making sure the cover is securely attached

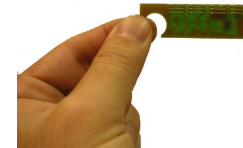


- 1) Top of the cartridge facing up
- 2) Remove the 5 screws



3) Remove the toner cap

4) By so doing, you separate the cartridge into 2 parts. The smartchip is in the bottom part, identified by the arrow



5) Replace the smartchip with a new chip

NOW YOU CAN REFILL THE CARTRIDGE USING THE BOTTLE OF TONER

1) Identify the filling hole on the side of the cartridge as shown in the picture. There may be a sticker over the filling cap that says “DO NOT REMOVE”. It is OK to remove this sticker. The plastic sealing cap can be easily removed by prying it out with a flat screwdriver, but be careful not to damage this plastic cap as you need to place it back after you refill

2) Now you can fill the cartridge with toner. Before opening the bottle of toner, turn it upside down and tap it on a table to loosen the toner and allow it to flow freely. Remove the cap and pull the seal off the bottle. Attach the funnel cap making to sure it is on tightly. Tilt the funnel cap toward the filling hole and insert it into the hole. If the toner stops flowing before the cartridge is full, simply remove the toner, close the cap, turn the bottle upside down and tap it on a table. Once the cartridge is full seal the hole with the original plug.



© All rights reserved, Easy Group, LLC. Version 3.0

All trademarks are property of their respective owners. Uni-Kit® has no association with any of the manufacturers listed here such as Hp, Epson, Lexmark, Xerox, etc. All logos and brand names shown here are used for identification purposes only. It is illegal to reproduce these instructions without written licensing consent from Easy Group LLC.

Please be advised that some toner refill kits may be compatible with multiple toner cartridges.



Samsung – ML 1710

[CLICK HERE TO GO THE INDEX](#)

REQUIRED FOR A SUCCESSFUL REFILL:

- Toner (Uni-Kit Formula 6A)
- 1 funnel cap

General Refilling Procedures:

Use a flathead screwdriver to pop out the large plastic plug found on the side of the side of the cartridge.

Before opening the bottle of toner, turn it upside down and tap it on a table to loosen the toner and allow it to flow freely. Remove the cap and pull the seal off the bottle. Attach the funnel cap making sure it is on tightly. Tilt the funnel cap toward the filling hole and insert it into the hole. If the toner stops flowing before the cartridge is full, simply remove the toner, close the cap, turn the bottle upside down and tap it on a table. Once the cartridge is full, seal the hole with the plug by twisting it until it is completely seated. Now gently shake the cartridge side to side to distribute the toner.



Please be advised that some toner refill kits may be compatible with multiple toner cartridges.



Xerox - 6R899

[CLICK HERE TO GO THE INDEX](#)

REQUIRED FOR A SUCCESSFUL REFILL:

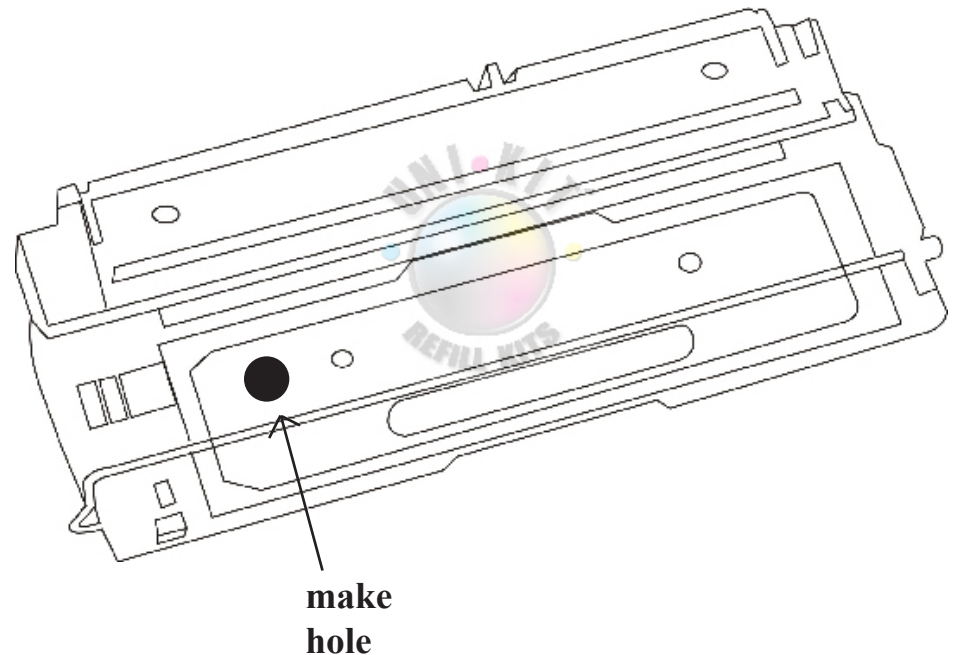
- Toner (Uni-Kit Formula 1A)
- 1 funnel cap
- 1 hole plug
- Toner Hole Making Tool

General Refilling Procedures:

Rest the Hole Making Tool on its stand and plug into an outlet. Wait 3 full minutes before using. Position the copper bit on the cartridge in the spot indicated by the photograph and push gently until it melts a hole in the cartridge. Remove the tool, place it back on its stand and unplug it. If the small piece of plastic has fallen into the cartridge, it must be removed, as this can damage your cartridge or cause print defects. If the piece remains in the tool, wait for the tool to cool down and pry it out.

Before opening the bottle of toner, turn it upside down and tap it on a table to loosen the toner and allow it to flow freely. Remove the cap and pull the seal off the bottle. Attach the funnel cap making to sure it is on tightly. Tilt the funnel cap toward the filling hole and insert it into the hole. If the toner stops flowing before the cartridge is full, simply remove the toner, close the cap, turn the bottle upside down and tap it on a table. Once the cartridge is full seal the hole with the plug.

Do not press down on the plug since the cartridge is resting on a table this can actually damage the photo-optic drum. Instead hold one end of the cartridge up off the table and twist the plug until it fully sealed. Now gently shake the cartridge side to side to distribute the toner.



Please be advised that some toner refill kits may be compatible with multiple toner cartridges.



Canon – F100

[CLICK HERE TO GO THE INDEX](#)

REQUIRED FOR A SUCCESSFUL REFILL:

- Toner (Uni-Kit Formula 2A)
- 1 funnel cap
- 1 hole plug
- Toner Hole Making Tool

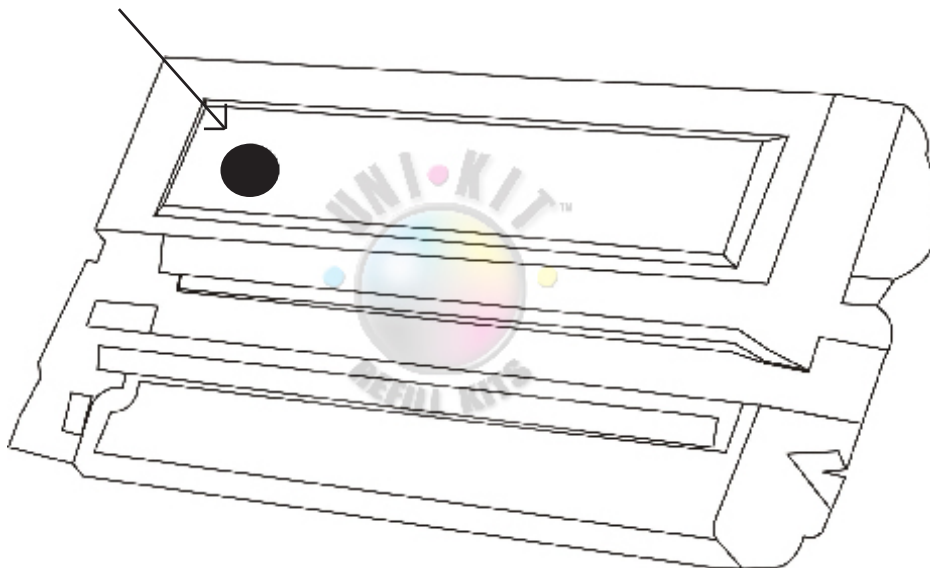
General Refilling Procedures:

Rest the Hole Making Tool on its stand and plug into an outlet. Wait 3 full minutes before using. Position the tan portion of the cartridge on your right. Position the copper bit on the cartridge in the spot indicated by the photograph and push gently until it melts a hole in the cartridge. Remove the tool, place it back on its stand and unplug it. If the small piece of plastic has fallen into the cartridge, it must be removed, as this can damage your cartridge or cause print defects. If the piece remains in the tool, wait for the tool to cool down and pry it out.

Before opening the bottle of toner, turn it upside down and tap it on a table to loosen the toner and allow it to flow freely. Remove the cap and pull the seal off the bottle. Attach the funnel cap making to sure it is on tightly. Tilt the funnel cap toward the filling hole and insert it into the hole. If the toner stops flowing before the cartridge is full, simply remove the toner, close the cap, turn the bottle upside down and tap it on a table. Once the cartridge is full seal the hole with the plug.

Do not press down on the plug since the cartridge is resting on a table this can actually damage the photo-optic drum. Instead hold one end of the cartridge up off the table and twist the plug until it fully sealed. Now gently shake the cartridge side to side to distribute the toner.

**make
hole**



Please be advised that some toner refill kits may be compatible with multiple toner cartridges.



HP – C8061A

[CLICK HERE TO GO THE INDEX](#)

REQUIRED FOR A SUCCESSFUL REFILL:

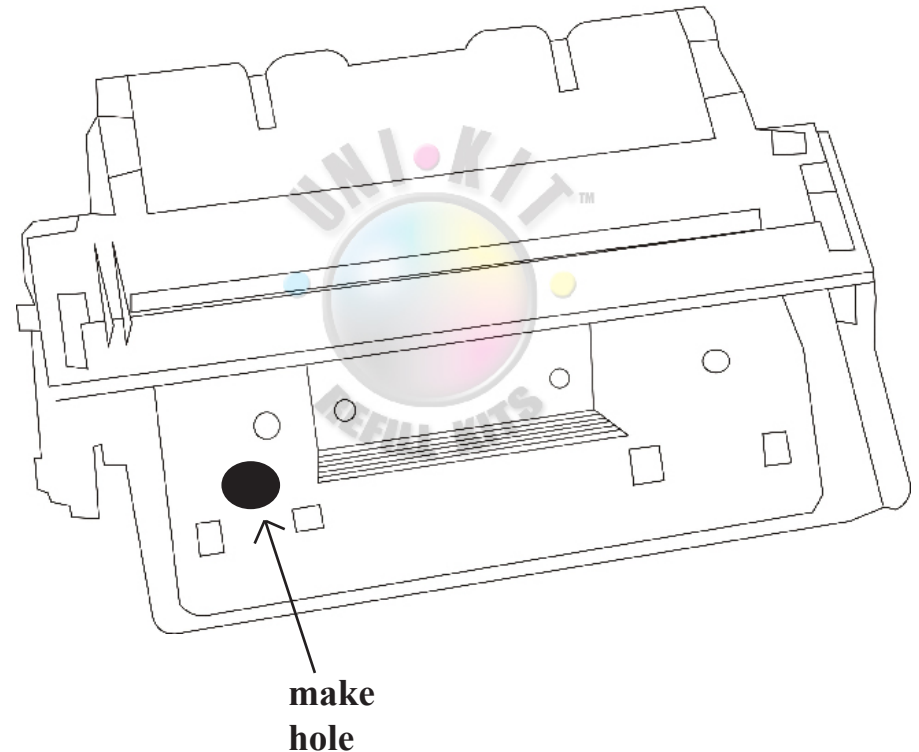
- Toner (Uni-Kit Formula 1A)
- 1 funnel cap
- 1 hole plug
- Toner Hole Making Tool

General Refilling Procedures:

Rest the Hole Making Tool on its stand and plug into an outlet. Wait 3 full minutes before using. Position the copper bit on the cartridge in the spot indicated by the photograph and push gently until it melts a hole in the cartridge. Make sure to keep the hole on the flat surface of the cartridge and not on the curved edge. Remove the tool, place it back on its stand and unplug it. If the small piece of plastic has fallen into the cartridge, it must be removed, as this can damage your cartridge or cause print defects. If the piece remains in the tool, wait for the tool to cool down and pry it out.

Before opening the bottle of toner, turn it upside down and tap it on a table to loosen the toner and allow it to flow freely. Remove the cap and pull the seal off the bottle. Attach the funnel cap making to sure it is on tightly. Tilt the funnel cap toward the filling hole and insert it into the hole. If the toner stops flowing before the cartridge is full, simply remove the toner, close the cap, turn the bottle upside down and tap it on a table. Once the cartridge is full seal the hole with the plug.

Do not press down on the plug since the cartridge is resting on a table this can actually damage the photo-optic drum. Instead hold one end of the cartridge up off the table and twist the plug until it fully sealed. Now gently shake the cartridge side to side to distribute the toner.



Please be advised that some toner refill kits may be compatible with multiple toner cartridges.



HP – Q1339A

[CLICK HERE TO GO THE INDEX](#)

REQUIRED FOR A SUCCESSFUL REFILL:

- Toner (Uni-Kit Formula 1A)
- 1 funnel cap
- 1 hole plug
- Toner Hole Making Tool*

General Refilling Procedures:

Rest the Hole Making Tool on its stand and plug into an outlet. Wait 3 full minutes before using. Position the copper bit on the cartridge in the spot indicated by the photograph and push gently until it melts a hole in the cartridge. Remove the tool, place it back on its stand and unplug it. If the small piece of plastic has fallen into the cartridge, it must be removed, as this can damage your cartridge or cause print defects. If the piece remains in the tool, wait for the tool to cool down and pry it out.

Before opening the bottle of toner, turn it upside down and tap it on a table to loosen the toner and allow it to flow freely. Remove the cap and pull the seal off the bottle. Attach the funnel cap making to sure it is on tightly. Tilt the funnel cap toward the filling hole and insert it into the hole. If the toner stops flowing before the cartridge is full, simply remove the toner, close the cap, turn the bottle upside down and tap it on a table. Once the cartridge is full seal the hole with the plug.

Do not press down on the plug since the cartridge is resting on a table this can actually damage the photo-optic drum. Instead hold one end of the cartridge up off the table and twist the plug until it fully sealed. Now gently shake the cartridge side to side to distribute the toner.



Please be advised that some toner refill kits may be compatible with multiple toner cartridges.



[CLICK HERE TO GO THE INDEX](#)

Samsung – SF5100 / TDR510P / ML4500 / ML1210
Lexmark – 10S0150

REQUIRED FOR A SUCCESSFUL REFILL:

- Toner (Uni-Kit Formula 6A)
- 1 funnel cap
- Replacement fuse or chip

General Refilling Procedures:

Follow step A for cartridge that have the plug located on the side then proceed to step C:

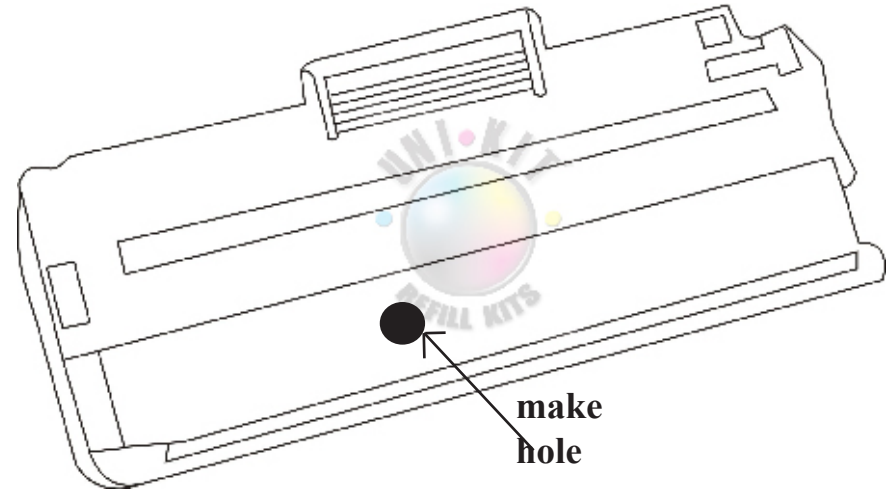
A. Use a flathead screwdriver to pop out the large plastic plug found on the side of the side of the cartridge.

Follow step B for cartridges that DO NOT have a plug on the side then proceed to step C:

NOTE: The Hole Making Tool is Required for this step.

B. Rest the Hole Making Tool on its stand and plug into an outlet. Wait 3 full minutes before using. Position the copper bit on the cartridge in the spot indicated by the photograph and push gently until it melts a hole in the cartridge. Make sure to keep the hole on the flat surface of the cartridge and not on the curved edge. Remove the tool, place it back on its stand and unplug it. If the small piece of plastic has fallen into the cartridge, it must be removed, as this can damage your cartridge or cause print defects. If the piece remains in the tool, wait for the tool to cool down and pry it out.

C. Before opening the bottle of toner, turn it upside down and tap it on a table to loosen the toner and allow it to flow freely. Remove the cap and pull the seal off the bottle. Attach the funnel cap making to sure it is on tightly. Tilt the funnel cap toward the filling hole and insert it into the hole. If the toner stops flowing before the cartridge is full, simply remove the toner, close the cap, turn the bottle upside down and tap it on a table. Once the cartridge is full, seal the hole with the plug by twisting it until it is completely seated. Now gently shake the cartridge side to side to distribute the toner.



Replacing the Chip (Lexmark):

To replace the chip simply use a flathead screwdriver and pry off the chip and replace with the new peel and stick chip.

Replacing the Fuse (Samsung):

Some versions of the cartridge have a small band of plastic or metal holding the fuse in place. Other versions have a small bit of adhesive holding it in place.

If you cartridge has the small band, simply unscrew the strip and place the new fuse in place and reattach the plastic or metal strip.

If you fuse was held in place by adhesive, we recommend using a small piece of duct tape to hold the fuse to the cartridge.

NOTE: If you are suing the duct tape, make sure that it only covers the glass part of the fuse and is NOT touching the metal part of the fuse.

Please be advised that some toner refill kits may be compatible with multiple toner cartridges.



Lexmark - 1382760

[CLICK HERE TO GO THE INDEX](#)

REQUIRED FOR A SUCCESSFUL REFILL:

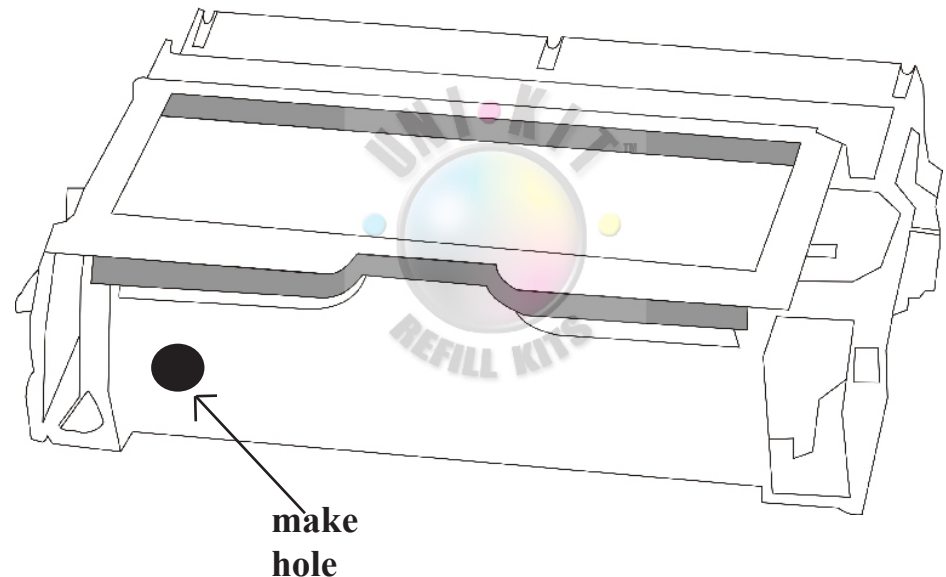
- Toner (Uni-Kit Formula 3A)
- 1 funnel cap
- 1 hole plug
- Toner Hole Making Tool

General Refilling Procedures:

Rest the Hole Making Tool on its stand and plug into an outlet. Wait 3 full minutes before using. Position the copper bit on the cartridge in the spot indicated by the photograph and push gently until it melts a hole in the cartridge. Look closely in to the cartridge you should see a white internal hopper which also needs to have a hole made in it. Using the hole making tool melt through the white internal cover. Remove the tool, place it back on its stand and unplug it. If the small piece of plastic has fallen into the cartridge, it must be removed, as this can damage your cartridge or cause print defects. If the piece remains in the tool, wait for the tool to cool down and pry it out.

Before opening the bottle of toner, turn it upside down and tap it on a table to loosen the toner and allow it to flow freely. Remove the cap and pull the seal off the bottle. Attach the funnel cap making to sure it is on tightly. Tilt the funnel cap toward the filling hole and insert it into the hole. If the toner stops flowing before the cartridge is full, simply remove the toner, close the cap, turn the bottle upside down and tap it on a table. Once the cartridge is full seal the hole with the plug.

Do not press down on the plug since the cartridge is resting on a table this can actually damage the photo-optic drum. Instead hold one end of the cartridge up off the table and twist the plug until it fully sealed. Now gently shake the cartridge side to side to distribute the toner.



Please be advised that some toner refill kits may be compatible with multiple toner cartridges.



Samsung CLP600

[CLICK HERE TO GO THE INDEX](#)

1. To split the cartridge into two sections, remove the two housing pins. These two pins have an internal thread, so a simple screw can be gently inserted and pulled to remove each pin.



2. After splitting the cartridge into 2, you will notice the filling hole as in the picture below. The filling hole has a round sealing cap, remove this cap to refill the cartridge, then replace the cap after it has been refilled.



3. Replace the original chip (as shown in top left of the image below) with the replacement chip.

© All rights reserved, Easy Group, LLC. Version 3.0

All trademarks are property of their respective owners. Uni-Kit® has no association with any of the manufacturers listed here such as Hp, Epson, Lexmark, Xerox, etc. All logos and brand names shown here are used for identification purposes only. It is illegal to reproduce these instructions without written licensing consent from Easy Group LLC.

Please be advised that some toner refill kits may be compatible with multiple toner cartridges.



[CLICK HERE TO GO THE INDEX](#)

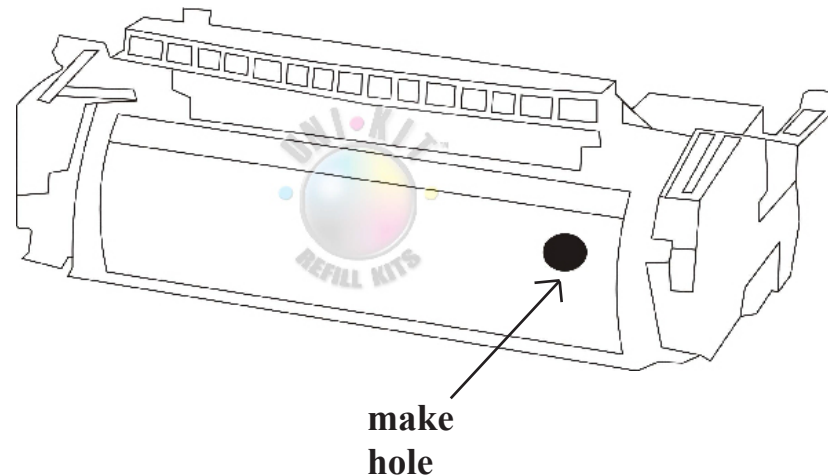
Lexmark -
17G0152, 17G0154, 4K00198, 4K00199
12A5740, 1382625, 1382925, 1382929
12A5745, 12A5840, 12A5845, 12A5849

REQUIRED FOR A SUCCESSFUL REFILL:

- Toner (Uni-Kit Formula 3A)
- 1 funnel cap
- 1 hole plug
- Toner Hole Making Tool

General Refilling Procedures:

1. Remove the label on the front of the cartridge.
2. Make a hole using the hole making tool (read general instructions on how to use the hole making tool).
3. Refill by pouring toner into the fill hole through the nozzle attached to the toner bottle. Make sure that you fill using only 1/3 of the toner or less! You can refill again and again, but never put more than 1/3 of toner at one time.
4. Seal the hole using the sealing plug provided.
5. The smartchip needs to be replaced before the printer will recognize the refilled cartridge. If you do not have a smartchip please check with your place of purchase or contact us at support@uni-kit.com. To replace the chip simply strip the old one from the cartridge, and apply the new one in its place (the chip has adhesive backing).



Please be advised that some toner refill kits may be compatible with multiple toner cartridges.



LEXMARK T630 / T632 / T634/T640/T644
DELL M5200 and more

[CLICK HERE TO GO THE INDEX](#)

REQUIRED FOR A SUCCESSFUL REFILL:

- Toner (Uni-Kit Refill Kit T630) for T630/T632/T634 cartridges
- Toner (Uni-Kit Refill Kit T640) for T640/T644 cartridges
- 1 funnel cap
- Toner Hole Making Tool

General Refilling Procedures:

1. Plug in your hole making tool and let it heat up for about 5-10 min. Please make sure you place the hole making tool in a clear area and use the hole making tool holder to set the tool on. This tool gets extremely hot and you must use extreme caution when handling this item (read general instructions on how to use the hole making tool).
2. Using your hole making tool, make a hole in the area shown in illustration B. When creating a hole in any cartridge, do not forcefully push the tool thru as their might be other parts that lie inside the cartridge that can be damaged if done incorrectly. Gently push into the cartridge creating the hole. If the small piece of plastic, that the hole making tool has created, falls inside the cartridge, it must be removed, as this can damage your cartridge or cause print defects. If the piece remains in the tool, wait for the tool to cool down and pry it out.
3. Before refilling the cartridge, make sure you remove all the toner from inside the cartridge. Mixing two different brands of toner may result in bad prints. Refill by pouring toner into the fill hole through the nozzle attached to the toner bottle. Each bottle is good for one refill in your cartridge, if your not sure about using the hole bottle, you can always come back to it later and fill in the rest.
4. Seal the hole using electrical tape or duct tape.
5. The smartchip needs to be replaced before the printer will recognize the refilled cartridge. If you do not have a smartchip please check with your place of purchase or contact us at support@uni-kit.com. To replace the chip simply strip the old one from the cartridge, and apply the new one in its place (some chips may have adhesive backs for easy replacement).



Create refill hole here



© All rights reserved, Easy Group, LLC. Version 3.0

All trademarks are property of their respective owners. Uni-Kit® has no association with any of the manufacturers listed here such as Hp, Epson, Lexmark, Xerox, etc. All logos and brand names shown here are used for identification purposes only. It is illegal to reproduce these instructions without written licensing consent from Easy Group LLC.

Please be advised that some toner refill kits may be compatible with multiple toner cartridges.



[CLICK HERE TO GO THE INDEX](#)

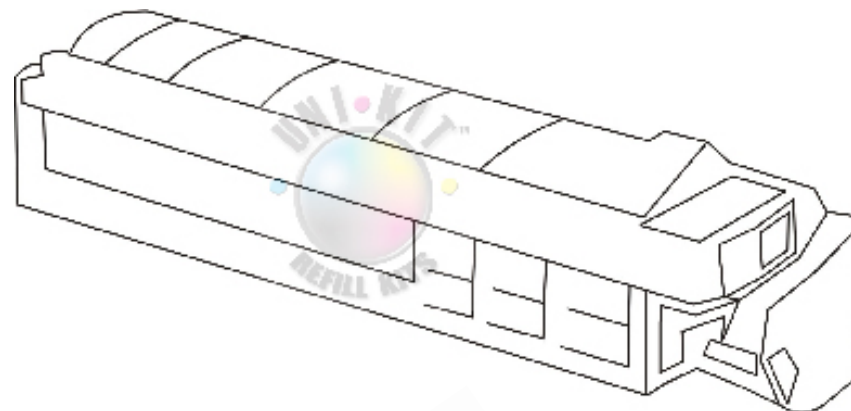
XEROX 6R359
6R343, 6R333, 6R881, 6R737,
SHARP Z781701, ZT50701

REQUIRED FOR A SUCCESSFUL REFILL:

- Toner (Uni-Kit Formula 5A)
- 1 funnel cap
- 1 hole plug
- Toner Hole Making Tool

General Refilling Procedures:

1. First you need to remove the END CAP of this cartridge by removing the screws from the side.
2. Slowly and gently, pull the END CAP out and to the right until you notice that the “locking tab” has been released (this will make it easier for you to completely remove the END CAP).
3. Underneath the END CAP you will notice a plug, remove this plug using a screwdriver – this reveals the filling hole.
4. Refill by pouring toner into the fill hole through the nozzle attached to the toner bottle.
5. Replace the plug when finished refilling, and replace the end cap making sure the pins line up correctly.



Please be advised that some toner refill kits may be compatible with multiple toner cartridges.



[CLICK HERE TO GO THE INDEX](#)

Xerox - 106R441/106R442
Samsung - ML6060
NEC - 20152
Minolta - 1710497001

REQUIRED FOR A SUCCESSFUL REFILL:

- Toner (Uni-Kit Formula 6A)
- 1 funnel cap
- 1 hole plug
- Toner Hole Making Tool

General Refilling Procedures:

Rest the Hole Making Tool on its stand and plug into an outlet. Wait 3 full minutes before using. Position the copper bit on the cartridge in the spot indicated by the photograph and push gently until it melts a hole in the cartridge. Remove the tool, place it back on its stand and unplug it. If the small piece of plastic has fallen into the cartridge, it must be removed, as this can damage your cartridge or cause print defects. If the piece remains in the tool, wait for the tool to cool down and pry it out.

Before opening the bottle of toner, turn it upside down and tap it on a table to loosen the toner and allow it to flow freely. Remove the cap and pull the seal off the bottle. Attach the funnel cap making to sure it is on tightly. Tilt the funnel cap toward the filling hole and insert it into the hole. If the toner stops flowing before the cartridge is full, simply remove the toner, close the cap, turn the bottle upside down and tap it on a table. Once the cartridge is full seal the hole with the plug.

Do not press down on the plug since the cartridge is resting on a table this can actually damage the photo-optic drum. Instead hold one end of the cartridge up off the table and twist the plug until it fully sealed. Now gently shake the cartridge side to side to distribute the toner.



Please be advised that some toner refill kits may be compatible with multiple toner cartridges.



Xerox – 6R914
Sharp – AL100TD

[CLICK HERE TO GO THE INDEX](#)

REQUIRED FOR A SUCCESSFUL REFILL:

- Toner (Uni-Kit Formula 5A)
- 1 funnel cap

General Refilling Procedures:

Use a screwdriver to remove the small screws holding the end cap in place. The locking tabs will unlock when you gently pry the off the end cap You will now see a large plastic plug. Use a flathead screwdriver to pop out the large plastic plug found on the side of the side of the cartridge.

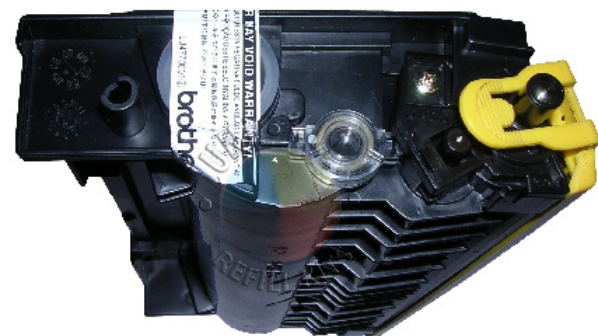
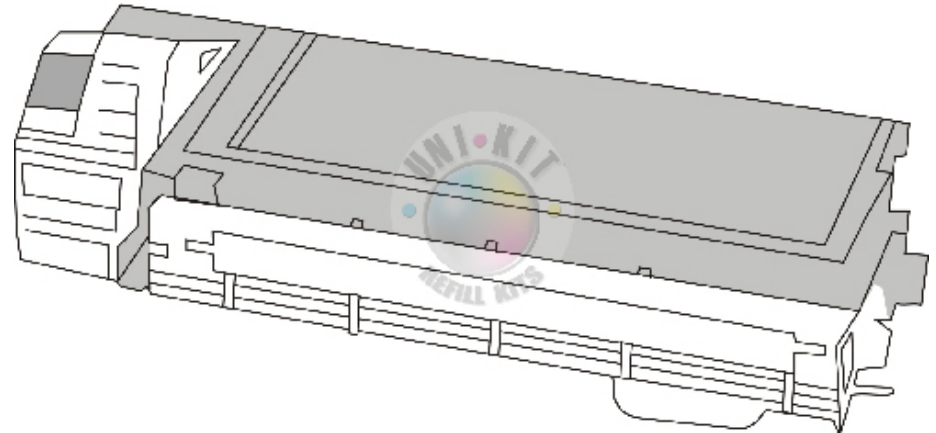
Before opening the bottle of toner, turn it upside down and tap it on a table to loosen the toner and allow it to flow freely. Remove the cap and pull the seal off the bottle. Attach the funnel cap making to sure it is on tightly. Tilt the funnel cap toward the filling hole and insert it into the hole. If the toner stops flowing before the cartridge is full, simply remove the toner, close the cap, turn the bottle upside down and tap it on a table. Once the cartridge is full, seal the hole with the plug by twisting it until it is completely seated. Now gently shake the cartridge side to side to distribute the toner.

DEVELOPER NOTE:

Adding developer onto your cartridge’s magnetic roller is similar to pouring mustard on a hotdog. Applying less developer is better than applying too much developer.

Pour a thin bead of developer across the length of the magnetic roller.
Rotate the roller counter-clockwise (to spread the developer across the magnetic roller) then print a sample.

If the printer takes a while to “warm up,” then try adding a little more developer. This time, rotating the magnetic roller clockwise. Note: When finished, the magnetic roller will be “bald” in some areas. This is normal.



Please be advised that some toner refill kits may be compatible with multiple toner cartridges.



[CLICK HERE TO GO THE INDEX](#)

SHARP FO45ND
RICOH 339479
RICOH 339473
PITNEY BOWES 8186,
MURATEC/MURATA TS120
OKIDATA 52111401
NEC 20090
NEC S2526
MINOLTA 4161101, 1710434001
MINOLTA 1710433001, 0938306

REQUIRED FOR A SUCCESSFUL REFILL:

- Toner (Uni-Kit Formula 4A)
- 1 funnel cap

General Refilling Procedures:

- 1 Remove the plug from the side of the cartridge by using a screwdriver, thereby exposing the fill hole.
- 2 Refill by pouring toner into the fill hole through the nozzle attached to the toner bottle.
3. Replace the plug when finished refilling.



Please be advised that some toner refill kits may be compatible with multiple toner cartridges.



Dell 1100 / Samsung ML-2010 / ML-1610 / Samsung SCX-4321 /
Samsung ML-2510 / SCX-4521 / Xerox PE220 and more_

[CLICK HERE TO GO THE INDEX](#)

REQUIRED FOR A SUCCESSFUL REFILL:

- Toner (Uni-kit for Dell 1100/Samsung 2010)
- 1 Phillips screwdriver and flat head screw driver
- Needle nose pliers

Note: Please read carefully before refilling cartridge.

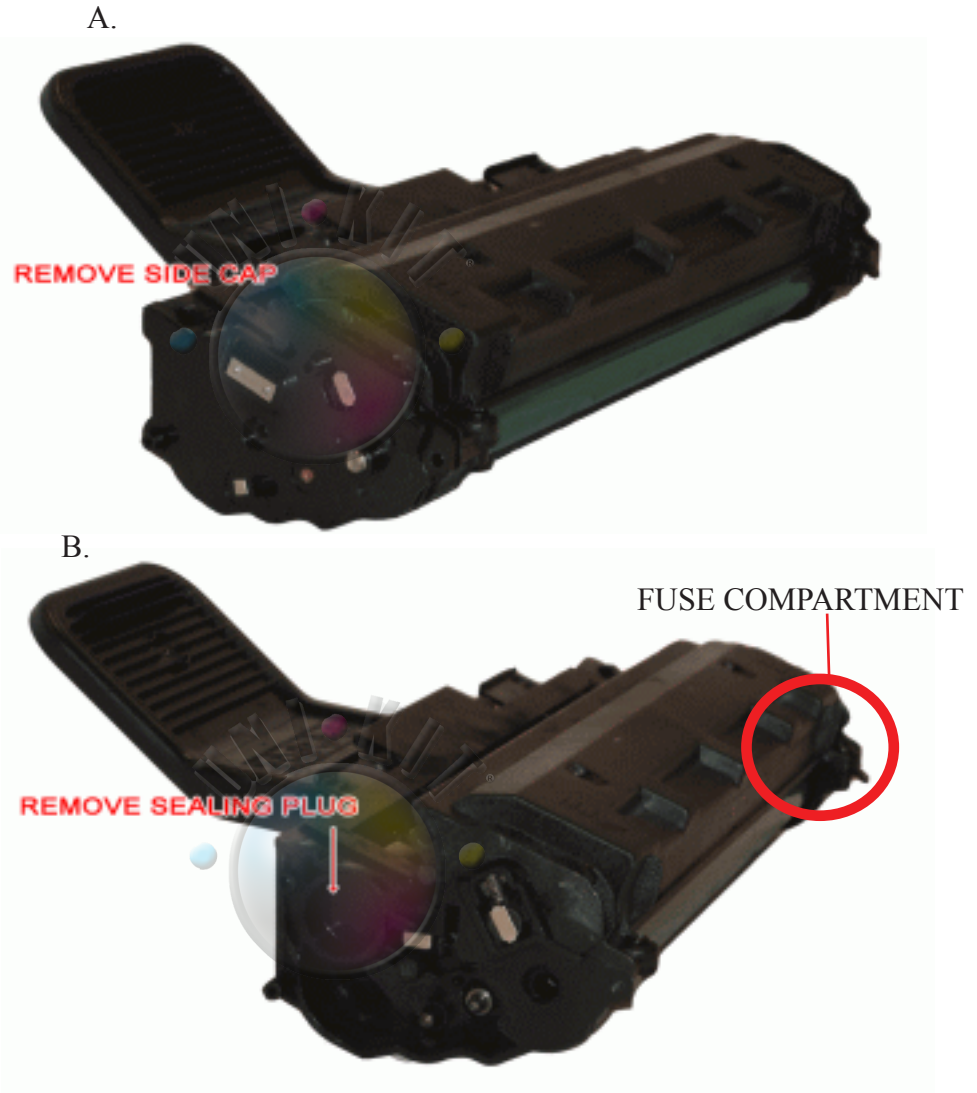
General Refilling Procedures:

Using the screw driver, remove the screws on the side of the cartridge so that the sealing plug can be revealed (Illustration A.). Once you have located the sealing plug, use the flat head screw driver to gently loosen the sealing plug (Illustration B.). With the needle nose pliers, gently, but forcefully pull the plug completely off the cartridge. If the plug happens to bent or crack, you may use electrical tape or duct tape to securely seal the cracks or bents once you have replaced the plug at the end of the refill process.

Empty any toner left inside the cartridge (mixing two different brands of toners could result in bad printing, or rare discoloration in your prints).

Before opening the bottle of toner, turn it upside down and tap it on a table to loosen the toner and allow it to flow freely. Remove the cap and pull the seal off the bottle. Attach the funnel cap making to sure it is on tightly. Tilt the cartridge at a 45 degree angle and then the funnel cap toward the filling hole and insert it into the hole. If the toner stops flowing before the cartridge is full, simply remove the toner, close the cap, turn the bottle upside down and tap it on a table. Once you are done refilling this cartridge, place the sealing plug back in its place and use duct tape or electrical tape to seal up any necessary cracks on the plug.

Replace the fuse for this cartridge (Illustration B shows the fuse compartment). Once you have replaced the fuse, you may now reinsert your cartridge back into your printer and begin printing. Changing the fuse is only required for the Dell 1100 and Samsung 2010 cartridge.



© All rights reserved, Easy Group, LLC. Version 3.0

All trademarks are property of their respective owners. Uni-Kit® has no association with any of the manufacturers listed here such as Hp, Epson, Lexmark, Xerox, etc. All logos and brand names shown here are used for identification purposes only. It is illegal to reproduce these instructions without written licensing consent from Easy Group LLC.

Please be advised that some toner refill kits may be compatible with multiple toner cartridges.



[CLICK HERE TO GO THE INDEX](#)

Panasonic – FQU160
NEC – 20055
Minolta – 0910802/0910803
Epson – S051009/S051200

REQUIRED FOR A SUCCESSFUL REFILL:

- Toner (Uni-Kit Formula 2A)
- 1 funnel cap
- 1 hole plug
- Toner Hole Making Tool

General Refilling Procedures:

Rest the Hole Making Tool on its stand and plug into an outlet. Wait 3 full minutes before using. Position the copper bit on the cartridge in the spot indicated by the photograph and push gently until it melts a hole in the cartridge. Make sure to keep the hole on the flat surface of the cartridge and not on the curved edge. Remove the tool, place it back on its stand and unplug it. If the small piece of plastic has fallen into the cartridge, it must be removed, as this can damage your cartridge or cause print defects. If the piece remains in the tool, wait for the tool to cool down and pry it out.

Before opening the bottle of toner, turn it upside down and tap it on a table to loosen the toner and allow it to flow freely. Remove the cap and pull the seal off the bottle. Attach the funnel cap making to sure it is on tightly. Tilt the funnel cap toward the filling hole and insert it into the hole. If the toner stops flowing before the cartridge is full, simply remove the toner, close the cap, turn the bottle upside down and tap it on a table. Once the cartridge is full seal the hole with the plug.

Do not press down on the plug since the cartridge is resting on a table this can actually damage the photo-optic drum. Instead hold one end of the cartridge up off the table and twist the plug until it fully sealed. Now gently shake the cartridge side to side to distribute the toner.



Please be advised that some toner refill kits may be compatible with multiple toner cartridges.



Lexmark – 1382100/1382150/1380850/1380950
/1380200/1380520
Genicom – 6A0133P01/6A0134P01

[CLICK HERE TO GO THE INDEX](#)

REQUIRED FOR A SUCCESSFUL REFILL:

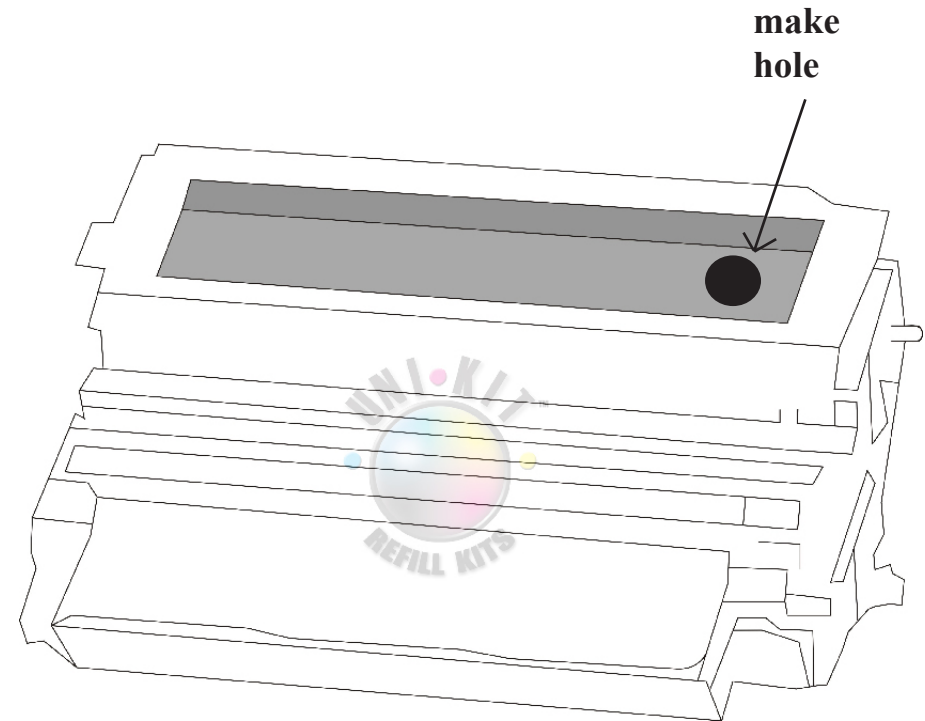
- Toner (Uni-Kit Formula 3A)
- 1 funnel cap
- 1 hole plug
- Toner Hole Making Tool

General Refilling Procedures:

Rest the Hole Making Tool on its stand and plug into an outlet. Wait 3 full minutes before using. Position the copper bit on the cartridge in the spot indicated by the photograph and push gently until it melts a hole in the cartridge. Look closely in to the cartridge you should see a white internal hopper which also needs to have a hole made in it. Using the hole making tool melt through the white internal cover. Remove the tool, place it back on its stand and unplug it. If the small piece of plastic has fallen into the cartridge, it must be removed, as this can damage your cartridge or cause print defects. If the piece remains in the tool, wait for the tool to cool down and pry it out.

Before opening the bottle of toner, turn it upside down and tap it on a table to loosen the toner and allow it to flow freely. Remove the cap and pull the seal off the bottle. Attach the funnel cap making sure it is on tightly. Tilt the funnel cap toward the filling hole and insert it into the hole. If the toner stops flowing before the cartridge is full, simply remove the toner, close the cap, turn the bottle upside down and tap it on a table. Once the cartridge is full seal the hole with the plug.

Do not press down on the plug since the cartridge is resting on a table this can actually damage the photo-optic drum. Instead hold one end of the cartridge up off the table and twist the plug until it fully sealed. Now gently shake the cartridge side to side to distribute the toner.



Please be advised that some toner refill kits may be compatible with multiple toner cartridges.



Lexmark – 140109A

[CLICK HERE TO GO THE INDEX](#)

REQUIRED FOR A SUCCESSFUL REFILL:

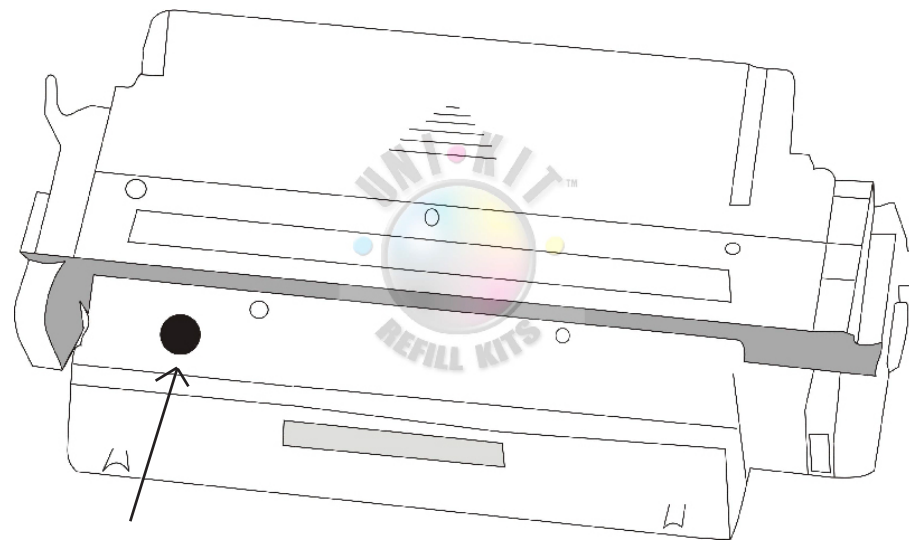
- Toner (Uni-Kit Formula 1A)
- 1 funnel cap
- 1 hole plug
- Toner Hole Making Tool

General Refilling Procedures:

Rest the Hole Making Tool on its stand and plug into an outlet. Wait 3 full minutes before using. Turn the cartridge up in its left side. Position the copper bit on the cartridge in the spot indicated by the photograph and push gently until it melts a hole in the cartridge. Make sure to keep the hole on the flat surface of the cartridge and not on the curved edge. Remove the tool, place it back on its stand and unplug it. If the small piece of plastic has fallen into the cartridge, it must be removed, as this can damage your cartridge or cause print defects. If the piece remains in the tool, wait for the tool to cool down and pry it out.

Before opening the bottle of toner, turn it upside down and tap it on a table to loosen the toner and allow it to flow freely. Remove the cap and pull the seal off the bottle. Attach the funnel cap making to sure it is on tightly. Tilt the funnel cap toward the filling hole and insert it into the hole. If the toner stops flowing before the cartridge is full, simply remove the toner, close the cap, turn the bottle upside down and tap it on a table. Once the cartridge is full seal the hole with the plug.

Do not press down on the plug since the cartridge is resting on a table this can actually damage the photo-optic drum. Instead hold one end of the cartridge up off the table and twist the plug until it fully sealed. Now gently shake the cartridge side to side to distribute the toner.



**make
hole**

Please be advised that some toner refill kits may be compatible with multiple toner cartridges.



Sharp ZT20TD1

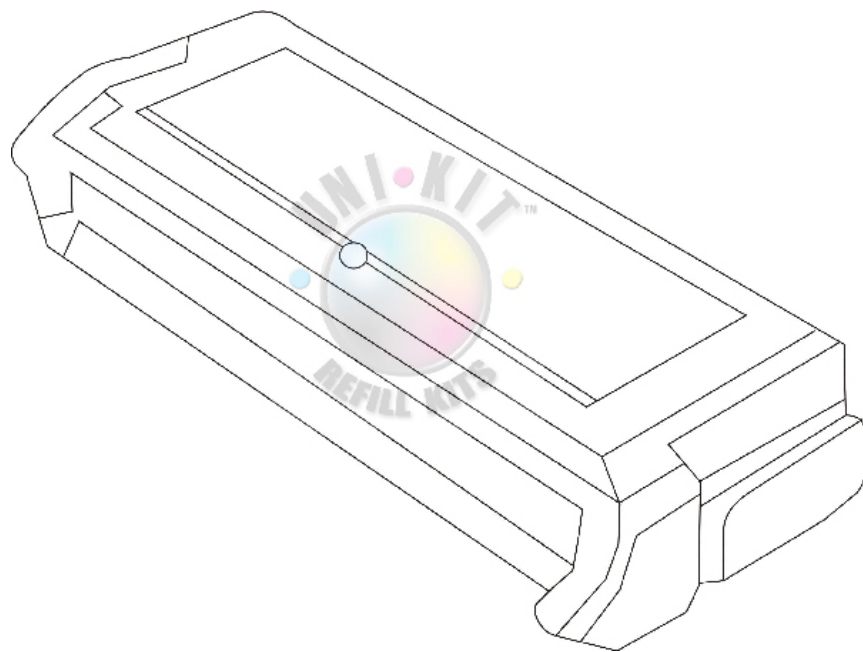
[CLICK HERE TO GO THE INDEX](#)

REQUIRED FOR A SUCCESSFUL REFILL:

- Toner (Uni-Kit Formula 5A)
- 1 funnel cap
- 1 hole plug
- Toner Hole Making Tool

General Refilling Procedures:

1. First you need to remove the END CAP of this cartridge by removing the screws from the side.
2. Slowly and gently, pull the END CAP out and to the right until you notice that the “locking tab” has been released (this will make it easier for you to completely remove the END CAP).
3. Underneath the END CAP you will notice a plug, remove this plug using a screwdriver – this reveals the filling hole.
4. Refill by pouring toner into the fill hole through the nozzle attached to the toner bottle.
5. Replace the plug when finished refilling, and replace the end cap making sure the pins line up correctly.



Please be advised that some toner refill kits may be compatible with multiple toner cartridges.



Xerox – 106R482

[CLICK HERE TO GO THE INDEX](#)

REQUIRED FOR A SUCCESSFUL REFILL:

- Toner (Uni-Kit Formula 5A)
- 1 funnel cap

General Refilling Procedures:

Use a screwdriver to remove the small screw holding the waste hopper in place. Turn the cartridge over, press on the clear plastic tab while pressing on the tab gently turn the waste hopper away from the body of the cartridge. Do not be alarmed if the plastic prong cracks or breaks off. Use a screwdriver to remove the two small screws to release the end cap. Lift up on the end cap while pulling it to the left to remove it. You will now see a large plastic plug. Use a flathead screwdriver to pop out the large plastic plug found on the side of the side of the cartridge.

Before opening the bottle of toner, turn it upside down and tap it on a table to loosen the toner and allow it to flow freely. Remove the cap and pull the seal off the bottle. Attach the funnel cap making to sure it is on tightly. Tilt the funnel cap toward the filling hole and insert it into the hole. If the toner stops flowing before the cartridge is full, simply remove the toner, close the cap, turn the bottle upside down and tap it on a table. Once the cartridge is full, seal the hole with the plug by twisting it until it is completely seated.

Perform the following steps over a newspaper:
Slide open the door over the waste hopper and dump out the waste toner onto the newspaper. Reassemble the cartridge. Now gently shake the cartridge side to side to distribute the toner.



DEVELOPER NOTE:

Adding developer onto your cartridge’s magnetic roller is similar to pouring mustard on a hotdog. Applying less developer is better than applying too much developer.

Pour a thin bead of developer across the length of the magnetic roller.
Rotate the roller counter-clockwise (to spread the developer across the magnetic roller) then print a sample.

If the printer takes a while to “warm up,” then try adding a little more developer. This time, rotating the magnetic roller clockwise. Note: When finished, the magnetic roller will be “bald” in some areas. This is normal.

Please be advised that some toner refill kits may be compatible with multiple toner cartridges.



Lexmark – 13T0101
Xerox – 113R296
Samsung – ML5000/TD55K

[CLICK HERE TO GO THE INDEX](#)

REQUIRED FOR A SUCCESSFUL REFILL:

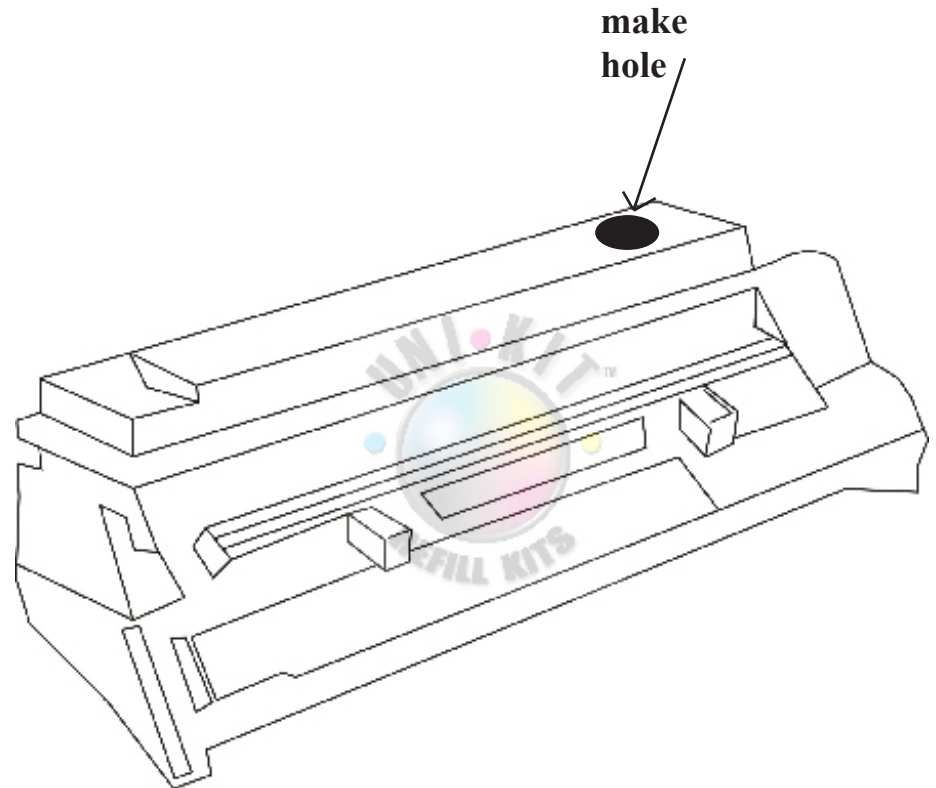
- Toner (Uni-Kit Formula 6A)
- 1 funnel cap
- Hole Making Tool
- Replacement Fuse

General Refilling Procedures:

Use a screwdriver to remove the three small screws holding the end cap in place. In order to remove the end cap the drum shutter arm must be disengaged from a hole in the end cap. Open the drum shutter door and disengage the pin from the side of the cartridge. Now carefully wiggle the end cap loose. Press down on the existing fuse. Use a screwdriver and gently but firmly press down on the fuse from the top side of the end cap. Turn the end over and remove the fuse. Press the replacement fuse back in place until it snaps in. Now reassemble the end cap and reinsert the drum shutter arm and replace the screws.

Rest the Hole Making Tool on its stand and plug into an outlet. Wait 3 full minutes before using. Position the copper bit on the cartridge in the spot indicated by the photograph and push gently until it melts a hole in the cartridge. Make sure to keep the hole on the flat surface of the cartridge and not on the curved edge. Remove the tool, place it back on its stand and unplug it. If the small piece of plastic has fallen into the cartridge, it must be removed, as this can damage your cartridge or cause print defects. If the piece remains in the tool, wait for the tool to cool down and pry it out.

Before opening the bottle of toner, turn it upside down and tap it on a table to loosen the toner and allow it to flow freely. Remove the cap and pull the seal off the bottle. Attach the funnel cap making to sure it is on tightly. Tilt the funnel cap toward the filling hole and insert it into the hole. If the toner stops flowing before the cartridge is full, simply remove the toner, close the cap, turn the bottle upside down and tap it on a table. Once the cartridge is full, seal the hole with the plug by twisting it until it is completely seated.



Do not press down on the plug since the cartridge is resting on a table this can actually damage the photo-optic drum. Instead hold one end of the cartridge up off the table and twist the plug until it fully sealed. Now gently shake the cartridge side to side to distribute the toner.

Please be advised that some toner refill kits may be compatible with multiple toner cartridges.



[CLICK HERE TO GO THE INDEX](#)

NEC – 20120/20122
Minolta – 1710511001/1410399002/171040500
2/4152601/4152301
Epson – S0500100

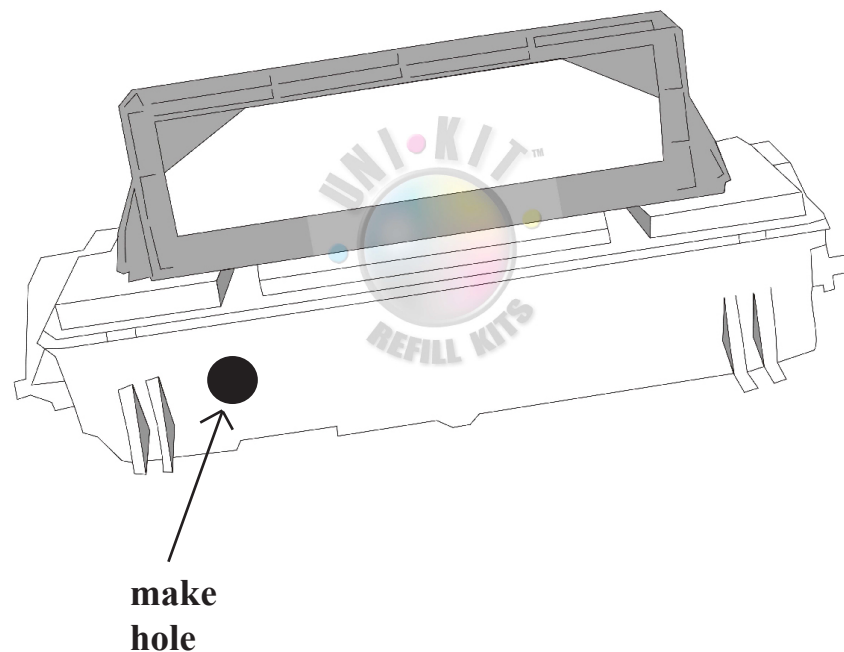
REQUIRED FOR A SUCCESSFUL REFILL:

- Toner (Uni-Kit Formula 4A)
- 1 funnel cap

General Refilling Procedures:

Use a flathead screwdriver to pop out the large plastic plug found on the side of the side of the cartridge.

Before opening the bottle of toner, turn it upside down and tap it on a table to loosen the toner and allow it to flow freely. Remove the cap and pull the seal off the bottle. Attach the funnel cap making to sure it is on tightly. Tilt the funnel cap toward the filling hole and insert it into the hole. If the toner stops flowing before the cartridge is full, simply remove the toner, close the cap, turn the bottle upside down and tap it on a table. Once the cartridge is full, seal the hole with the plug by twisting it until it is completely seated. Now gently shake the cartridge side to side to distribute the toner.



Please be advised that some toner refill kits may be compatible with multiple toner cartridges.



[CLICK HERE TO GO THE INDEX](#)

Xerox - 6R929/6R0906
HP - C4127AX/C3909A/C4182AX
Minolta - 171046601/171046001
Lexmark - 1382140
IBM - 63H5721
Canon - EPW/EP72

REQUIRED FOR A SUCCESSFUL REFILL:

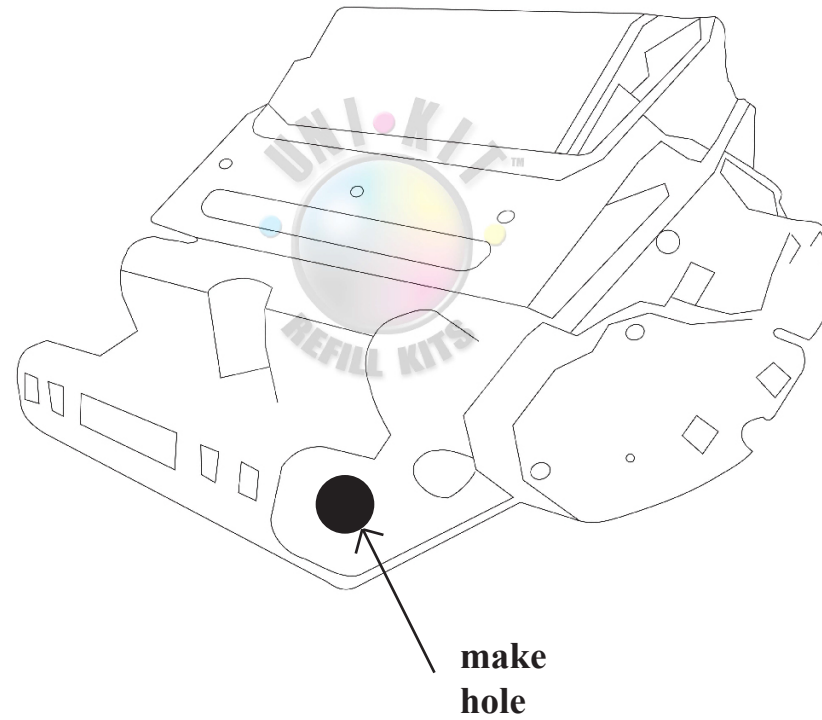
- Toner (Uni-Kit Formula 1A)
- 1 funnel cap
- 1 hole plug
- Toner Hole Making Tool

General Refilling Procedures:

Rest the Hole Making Tool on its stand and plug into an outlet. Wait 3 full minutes before using. Turn the cartridge up in its left side. Position the copper bit on the cartridge in the spot indicated by the photograph and push gently until it melts a hole in the cartridge. Make sure to keep the hole on the flat surface of the cartridge and not on the curved edge. Remove the tool, place it back on its stand and unplug it. If the small piece of plastic has fallen into the cartridge, it must be removed, as this can damage your cartridge or cause print defects. If the piece remains in the tool, wait for the tool to cool down and pry it out.

Before opening the bottle of toner, turn it upside down and tap it on a table to loosen the toner and allow it to flow freely. Remove the cap and pull the seal off the bottle. Attach the funnel cap making to sure it is on tightly. Tilt the funnel cap toward the filling hole and insert it into the hole. If the toner stops flowing before the cartridge is full, simply remove the toner, close the cap, turn the bottle upside down and tap it on a table. Once the cartridge is full seal the hole with the plug.

Do not press down on the plug since the cartridge is resting on a table this can actually damage the photo-optic drum. Instead hold one end of the cartridge up off the table and twist the plug until it fully sealed. Now gently shake the cartridge side to side to distribute the toner.



Please be advised that some toner refill kits may be compatible with multiple toner cartridges.



[CLICK HERE TO GO THE INDEX](#)

HP - C3900A
Canon – EPB
Xerox - 6R907
Minolta- 1710081001
Lexmark - 140100A

REQUIRED FOR A SUCCESSFUL REFILL:

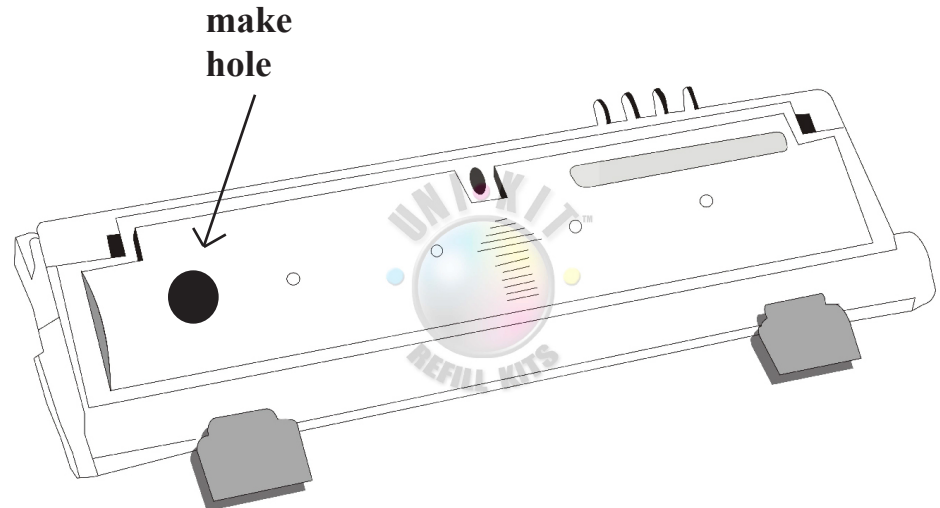
- Toner (Uni-Kit Formula 1A)
- 1 funnel cap
- 1 hole plug
- Toner Hole Making Tool

General Refilling Procedures:

Rest the Hole Making Tool on its stand and plug into an outlet. Wait 3 full minutes before using. Position the copper bit on the cartridge in the spot indicated by the photograph and push gently until it melts a hole in the cartridge. Remove the tool, place it back on its stand and unplug it. If the small piece of plastic has fallen into the cartridge, it must be removed, as this can damage your cartridge or cause print defects. If the piece remains in the tool, wait for the tool to cool down and pry it out.

Before opening the bottle of toner, turn it upside down and tap it on a table to loosen the toner and allow it to flow freely. Remove the cap and pull the seal off the bottle. Attach the funnel cap making to sure it is on tightly. Tilt the funnel cap toward the filling hole and insert it into the hole. If the toner stops flowing before the cartridge is full, simply remove the toner, close the cap, turn the bottle upside down and tap it on a table. Once the cartridge is full seal the hole with the plug.

We do NOT recommend using the plug provided in the kit to seal the filling hole. Instead use duct tape. There is an auger inside the which needs to rotate freely in order to distribute the toner evenly. Now gently shake the cartridge side to side to distribute the toner.



Please be advised that some toner refill kits may be compatible with multiple toner cartridges.



[CLICK HERE TO GO THE INDEX](#)

Pitney Bowes - 8060
HP- 92275A
DEC - LN07XAA
Canon - FX1/EPL
Apple - M0089

REQUIRED FOR A SUCCESSFUL REFILL:

- Toner (Uni-Kit Formula 1A)
- 1 funnel cap
- 1 hole plug
- Toner Hole Making Tool

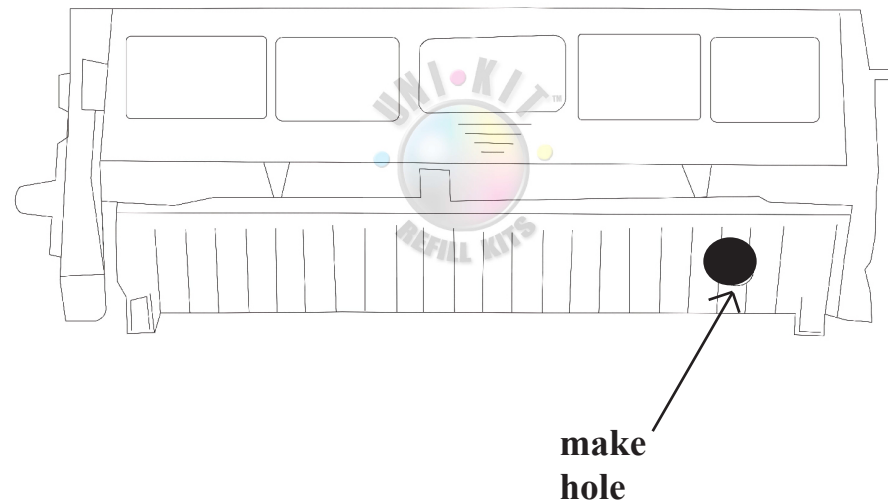
General Refilling Procedures:

Rest the Hole Making Tool on its stand and plug into an outlet. Wait 3 full minutes before using. Position the copper bit on the cartridge in the spot indicated by the photograph and push gently until it melts a hole in the cartridge. It is critical that the hole is butting up against the horizontal edge of the hopper.

Remove the tool, place it back on its stand and unplug it. If the small piece of plastic has fallen into the cartridge, it must be removed, as this can damage your cartridge or cause print defects. If the piece remains in the tool, wait for the tool to cool down and pry it out.

Before opening the bottle of toner, turn it upside down and tap it on a table to loosen the toner and allow it to flow freely. Remove the cap and pull the seal off the bottle. Attach the funnel cap making to sure it is on tightly. Tilt the funnel cap toward the filling hole and insert it into the hole. If the toner stops flowing before the cartridge is full, simply remove the toner, close the cap, turn the bottle upside down and tap it on a table. Once the cartridge is full seal the hole with the plug.

We do NOT recommend using the plug provided in the kit to seal the filling hole. Instead use duct tape. There is an auger inside the which needs to rotate freely in order to distribute the toner evenly. Now gently shake the cartridge side to side to distribute the toner.



Please be advised that some toner refill kits may be compatible with multiple toner cartridges.



[CLICK HERE TO GO THE INDEX](#)

Ricoh - 339302
Minolta - 17030190000
Lexmark - 140195AX
HP - 92295AX
Canon – XS/EPS
Apple-M6002

REQUIRED FOR A SUCCESSFUL REFILL:

- Toner (Uni-Kit Formula 1A)
- 1 funnel cap
- 1 hole plug
- Toner Hole Making Tool

General Refilling Procedures:

Rest the Hole Making Tool on its stand and plug into an outlet. Wait 3 full minutes before using. Position the copper bit on the cartridge in the spot indicated by the photograph and push gently until it melts a hole in the cartridge. Please note that you will also be putting a hole not only in the cover but the internal cover as well. Remove the tool, place it back on its stand and unplug it. If the small piece of plastic has fallen into the cartridge, it must be removed, as this can damage your cartridge or cause print defects. If the piece remains in the tool, wait for the tool to cool down and pry it out.

Before opening the bottle of toner, turn it upside down and tap it on a table to loosen the toner and allow it to flow freely. Remove the cap and pull the seal off the bottle. Attach the funnel cap making to sure it is on tightly. Tilt the funnel cap toward the filling hole and insert it into the hole. If the toner stops flowing before the cartridge is full, simply remove the toner, close the cap, turn the bottle upside down and tap it on a table. Once the cartridge is full seal the hole with the plug.

Do not press down on the plug since the cartridge is resting on a table this can actually damage the photo-optic drum. Instead hold one end of the cartridge up off the table and twist the plug until it fully sealed. Now gently shake the cartridge side to side to distribute the toner.



Please be advised that some toner refill kits may be compatible with multiple toner cartridges.



[CLICK HERE TO GO THE INDEX](#)

Minolta -17030210000
HP - 92285A
Canon – EPC/A20
Apple - M0180

REQUIRED FOR A SUCCESSFUL REFILL:

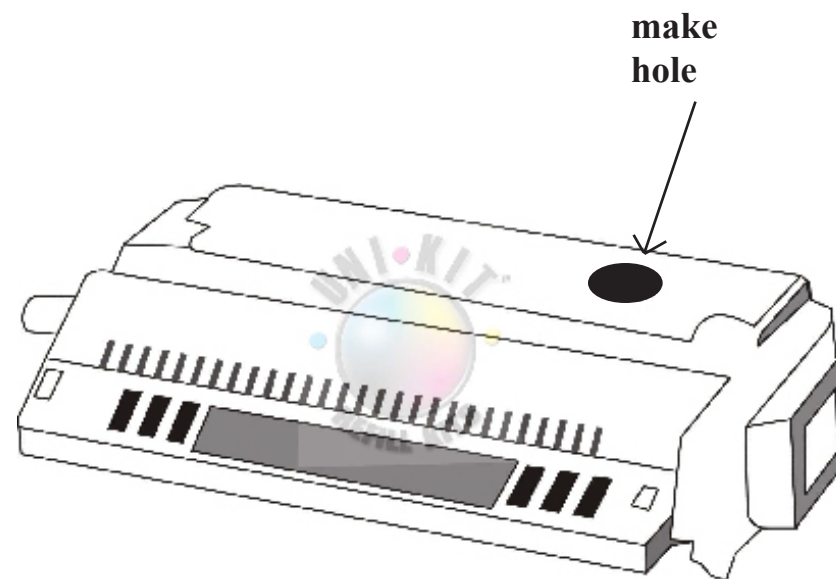
- Toner (Uni-Kit Formula 1A)
- 1 funnel cap
- 1 hole plug
- Toner Hole Making Tool

General Refilling Procedures:

Rest the Hole Making Tool on its stand and plug into an outlet. Wait 3 full minutes before using. Use a flathead screwdriver to remove the cardboard cover over the toner hopper. Position the copper bit on the cartridge in the spot indicated by the photograph and push gently until it melts a hole in the cartridge. Make sure to keep the hole on the flat surface of the cartridge and not on the curved edge. Remove the tool, place it back on its stand and unplug it. If the small piece of plastic has fallen into the cartridge, it must be removed, as this can damage your cartridge or cause print defects. If the piece remains in the tool, wait for the tool to cool down and pry it out.

Before opening the bottle of toner, turn it upside down and tap it on a table to loosen the toner and allow it to flow freely. Remove the cap and pull the seal off the bottle. Attach the funnel cap making to sure it is on tightly. Tilt the funnel cap toward the filling hole and insert it into the hole. If the toner stops flowing before the cartridge is full, simply remove the toner, close the cap, turn the bottle upside down and tap it on a table. Once the cartridge is full seal the hole with the plug.

Do not press down on the plug since the cartridge is resting on a table this can actually damage the photo-optic drum. Instead hold one end of the cartridge up off the table and twist the plug until it fully sealed. Now gently shake the cartridge side to side to distribute the toner.



Please be advised that some toner refill kits may be compatible with multiple toner cartridges.



[CLICK HERE TO GO THE INDEX](#)

HP -92274A
Canon - FX2/EPP
Apple - M2045GA

REQUIRED FOR A SUCCESSFUL REFILL:

- Toner (Uni-Kit Formula 1A)
- 1 funnel cap
- 1 hole plug
- Toner Hole Making Tool

General Refilling Procedures:

Rest the Hole Making Tool on its stand and plug into an outlet. Wait 3 full minutes before using. Position the copper bit on the cartridge in the spot indicated by the photograph and push gently until it melts a hole in the cartridge. Make sure to keep the hole on the flat surface of the cartridge and not on the curved edge. Remove the tool, place it back on its stand and unplug it. If the small piece of plastic has fallen into the cartridge, it must be removed, as this can damage your cartridge or cause print defects. If the piece remains in the tool, wait for the tool to cool down and pry it out.

Before opening the bottle of toner, turn it upside down and tap it on a table to loosen the toner and allow it to flow freely. Remove the cap and pull the seal off the bottle. Attach the funnel cap making to sure it is on tightly. Tilt the funnel cap toward the filling hole and insert it into the hole. If the toner stops flowing before the cartridge is full, simply remove the toner, close the cap, turn the bottle upside down and tap it on a table. Once the cartridge is full seal the hole with the plug.

Do not press down on the plug since the cartridge is resting on a table this can actually damage the photo-optic drum. Instead hold one end of the cartridge up off the table and twist the plug until it fully sealed. Now gently shake the cartridge side to side to distribute the toner.



Please be advised that some toner refill kits may be compatible with multiple toner cartridges.



CANON A30, A15

[CLICK HERE TO GO THE INDEX](#)

REQUIRED FOR A SUCCESSFUL REFILL:

- Toner (Uni-Kit Formula 2A)
- 1 funnel cap
- 1 hole plug
- Toner Hole Making Tool

General Refilling Procedures:

Rest the Hole Making Tool on its stand and plug into an outlet. Wait 3 full minutes before using. Position the copper bit on the cartridge in the spot indicated by the photograph and push gently until it melts a hole in the cartridge. Remove the tool, place it back on its stand and unplug it. If the small piece of plastic has fallen into the cartridge, it must be removed, as this can damage your cartridge or cause print defects. If the piece remains in the tool, wait for the tool to cool down and pry it out.

Before opening the bottle of toner, turn it upside down and tap it on a table to loosen the toner and allow it to flow freely. Remove the cap and pull the seal off the bottle. Attach the funnel cap making to sure it is on tightly. Tilt the funnel cap toward the filling hole and insert it into the hole. If the toner stops flowing before the cartridge is full, simply remove the toner, close the cap, turn the bottle upside down and tap it on a table. Once the cartridge is full seal the hole with the plug.

Do not press down on the plug since the cartridge is resting on a table this can actually damage the photo-optic drum. Instead hold one end of the cartridge up off the table and twist the plug until it fully sealed. Now gently shake the cartridge side to side to distribute the toner.



Please be advised that some toner refill kits may be compatible with multiple toner cartridges.



[CLICK HERE TO GO THE INDEX](#)

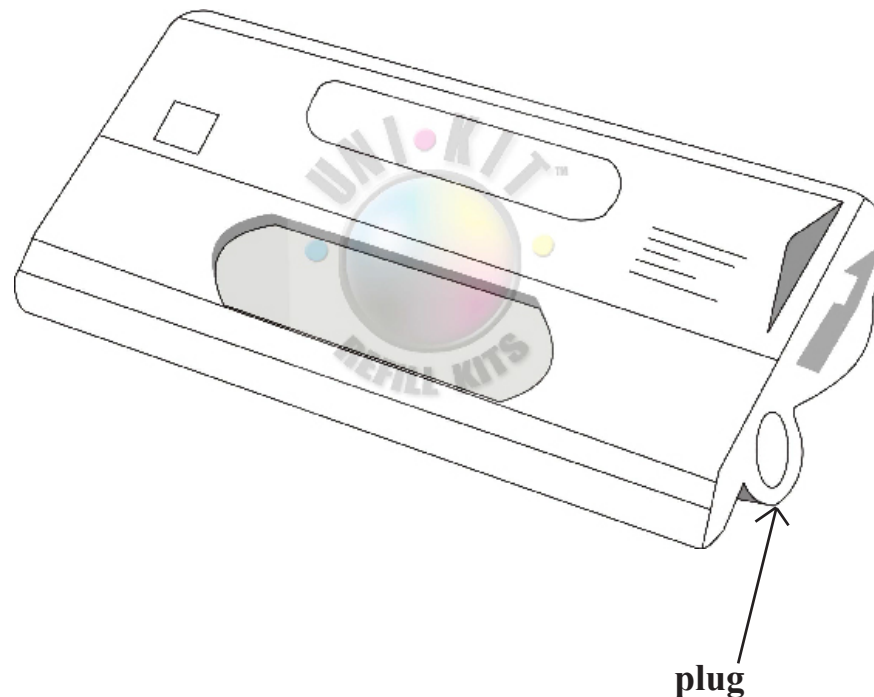
Minolta 0927605, 0927606
Epson S051016
Epson S051011
DEC LN11XAA

REQUIRED FOR A SUCCESSFUL REFILL:

- Toner (Uni-Kit Formula 4A)
- 1 funnel cap
- 1 hole plug
- Toner Hole Making Tool

General Refilling Procedures:

1. Remove the plug from the side of the cartridge by using a screwdriver, thereby exposing the fill hole.
2. Refill by pouring toner into the fill hole through the nozzle attached to the toner bottle.
3. Replace the plug when finished refilling.



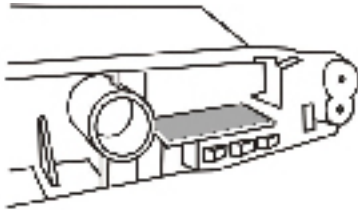
Please be advised that some toner refill kits may be compatible with multiple toner cartridges.



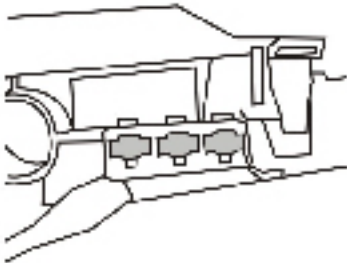
COLOR TONER INSTRUCTIONS

[CLICK HERE TO GO THE INDEX](#)

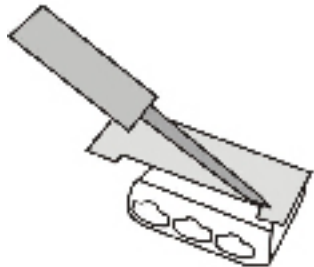
CLP 510 Smartchip Replacement Instructions



Locate the chip next to the filling plug (as per refilling instructions). To get to this chip you need to remove 3 or 4 screws from the top of the cartridge, and 1 screw on the side of the cartridge then remove the “cap” of the cartridge. These instructions are detailed in the “REFILL INSTRUCTIONS” for CLP510. You will notice the chip that needs to be replaced is located RIGHT NEXT to the filling hole.



Gently remove the chip by using a small flathead screwdriver. You will notice on the bottom of the chip there are 2 plastic square connectors about 0.5mm x 0.5mm, if you gently push those towards you (towards the outside of the cartridge) this will make removing the chip easier.



Using a soldering iron, slowly desolder the original smartchip from the black connector below it. There are 3 parts that need to be desoldered. BE CAREFUL NOT TO BURN YOURSELF and be careful that you do not damage the connector.



Now that you have removed the chip, you are left with a plain connector. Now you can solder the NEW replacement smartchip back onto this connector by using some soldering iron. When the new chip is in place on the connector, put the connector back onto the cartridge and replace the cover of the cartridge.

Troubleshooting:

If the printer gives you an error message after you have installed the chip like “incorrect toner” or “invalid toner” or any other error message, then you need to SWITCH OFF the printer, wait a few seconds, then switch it back ON and hold down the MENU button while you are powering it back on. If your printer will only allow you to print in black only mode, then go to your printer settings, click on PROPERTIES and then restore to printer defaults.

Please be advised that some toner refill kits may be compatible with multiple toner cartridges.



COLOR TONER INSTRUCTIONS

DELL 1700 / LEXMARK E120 / IBM 4312

[CLICK HERE TO GO THE INDEX](#)

Note: For Lexmark E120, there is a chip that needs to be replaced in order for the cartridge to function in the printer. Peel and stick the chip in place of the original chip



Note: Always refill in a well ventilated environment, preferably outside or at a workbench

1. Using a flat screwdriver, carefully remove the fill cap located under the sticker in the diagram below. Attach the pouring nozzle to the toner bottle, and pour toner into the cartridge. After refilling, replace the fill plug.

Please be advised that some toner refill kits may be compatible with multiple toner cartridges.



COLOR TONER INSTRUCTIONS

[CLICK HERE TO GO THE INDEX](#)

DELL 3100 / Epson C1100 (CX11)

Note: Always refill in a well ventilated environment, preferably outside or at a workbench



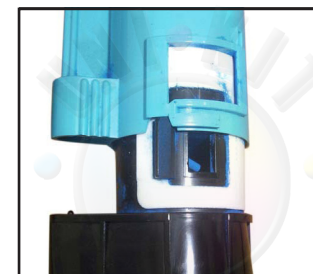
1. Use a small flat-head screwdriver to lift the tap over the stopper and allow you to turn the blue end piece counterclockwise (color of end piece varies on color of cartridge).



2. This is the starting point.



3. Turn the cap until the tab comes to a complete stop and has entered under the blue cap.



4. Now pull the cap, out away from the cartridge..



5. Remove the carrier fill plug.



6. This is the waste carrier chamber, empty it out and you will find the toner fill plug. Remove it to clean cartridge and fill toner..

NOTE: Mix toner and carrier in the same toner bottle before refilling the toner hopper.

TROUBLESHOOTING:

If the Dell 3100 printer does not recognize the refilled cartridge, follow these steps:

- 1) Restart the printer by turning it off for 2-3 minutes, then turning it back on
- 2) After the printer has restarted, take out the cartridge and shake it and reinstall it
- 3) If these steps dont work, try removing waste toner from the waste hopper. The reason for this is because if the machine sees too much toner in the waste hopper, it may think the cartridge is empty.

© All rights reserved, Easy Group, LLC. Version 3.0

All trademarks are property of their respective owners. Uni-Kit® has no association with any of the manufacturers listed here such as Hp, Epson, Lexmark, Xerox, etc. All logos and brand names shown here are used for identification purposes only. It is illegal to reproduce these instructions without written licensing consent from Easy Group LLC.

Please be advised that some toner refill kits may be compatible with multiple toner cartridges.



COLOR TONER INSTRUCTIONS

DELL 5100cn

[CLICK HERE TO GO THE INDEX](#)

1. Locate the end piece as shown below left (usually BLACK, RED, YELLOW or BLUE in color). You need to push in the two “prongs” (small grey prongs located inside the black end-piece as shown to the left of the picture below), and simultaneously pull the end piece away from the cartridge. This exposes the filling hole.
2. Next pour the toner into the cartridge slowly and when the cartridge is full.
3. Now you need to replace the end-cap by pushing it back into place, making sure that the end-cap and prongs are now situated the same as they were before.
4. Gently shake the toner cartridge to ensure that the toner is distributed evenly inside the cartridge.
5. Before installing the refilled cartridge, you need to change a setting on the printer so that it will accept the refilled cartridge. You need to first press on the “MENU” button on the LCD display of your printer.
6. Next, select “CONFIGURE”
7. Next, select “MAINTENANCE”
8. In the ‘Maintenance Menu’, click YES when you scroll to the option ‘Non-Dell Setting’. It will then read Non-Dell Toner. Now the printer has been reset and will accept the refilled cartridge. Simply turn the printer off, then back on and the reset procedure is complete.
9. Insert the refilled cartridge



Please be advised that some toner refill kits may be compatible with multiple toner cartridges.

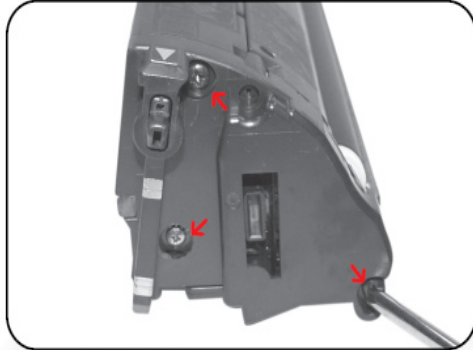


ALWAYS refill in an area where you can tolerate a spill. Use an area such as a workbench when refilling.

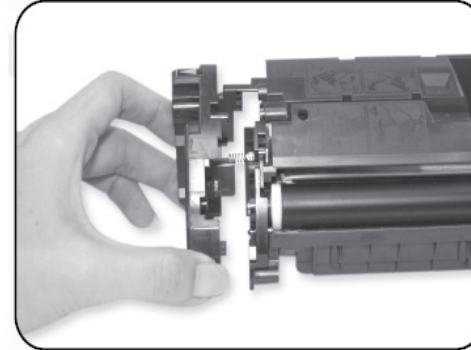
HP 1500 / 2500

[CLICK HERE TO GO THE INDEX](#)

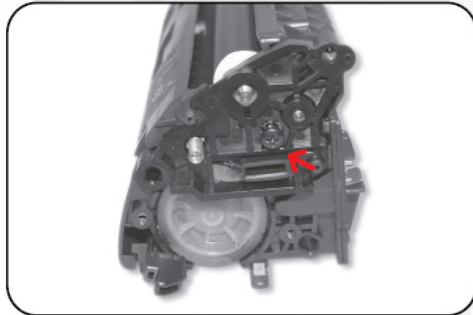
1. Remove three screws on the side opposite the gears.



2. Remove the end plate on the side.



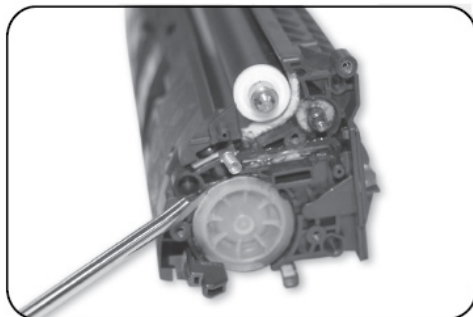
3. Remove one more screw.



4. DO NOT lose the round bearing part.



5. Remove the plastic cap to expose the filling hole.



6. Dump out any excess toner, and pour new toner in. It is always better to underfill than to overfill a cartridge.



GENERAL COMMENTS:

HP 1500 / 2500 / 2550 cartridges require smart chips to be replaced in order for the printer to recognize the refilled cartridge as “new”. You should replace the smart chip only AFTER you refill the cartridge. DO NOT remove the chip after you have installed it.

Please be advised that some toner refill kits may be compatible with multiple toner cartridges.



HP 2600 Color Laserjet (Black, Cyan, Yellow or Magenta)

The first step in refilling your color laserjet HP 2600 cartridges is to EMPTY THE WASTE HOPPER. This is an essential step because waste toner has accumulated in the hopper (which is like a waste collection space). You can empty the waste hopper by using the hole making tool to make a hole at the location shown in the diagram. The tool needs to be plugged in to an electrical outlet, wait 1-3 minutes for the tool to heat up (be careful - it gets HOT!) and then gently push the tip of the tool against the cartridge in the location shown until it makes a nice round hole. You need to remove the round plastic piece that is burnt out by the tool. Now slowly turn the cartridge upside down over a trash collection bag so that the waste toner can empty out.

When empty, you can seal this hole using electrical tape.

Make a 2nd hole in the cartridge at the location shown in this diagram. Make sure you remove the round plastic piece that you burn out. **IMPORTANT:** Just like with the waste hopper, you need to EMPTY OUT any remaining original toner from the cartridge. Our toner may not work as well if it is mixed with the original toner. If there is slight mixing that is OK, just as long as most of the original toner is gone.

Attach the pouring spout to the toner bottle and fill the cartridge. Seal the filling hole again with electrical tape. **IMPORTANT:** Do NOT try sealing the hole with a plug as there is a blade on the inside of the cartridge that rotates and needs to be able to rotate almost flush with the cartridge shell, so nothing should protrude into the cartridge.

The chip needs to be replaced. This is a lockout chip, which means that unless you replace the chip the printer will not recognize the refilled cartridge (it will remember it as empty and prevent you from printing). In order to remove the original chip, you need to make 2 small cuts in the plastic at the 2 points on top of the chip that (see diagram). This will allow the chip to be pushed up and out by using a thin flat object such as a flat screwdriver.

Replace the old chip with a new replacement chip, and add a touch of glue to the top tips of the chip so that it sits firmly in place against the cartridge.

[CLICK HERE TO GO THE INDEX](#)



Please be advised that some toner refill kits may be compatible with multiple toner cartridges.

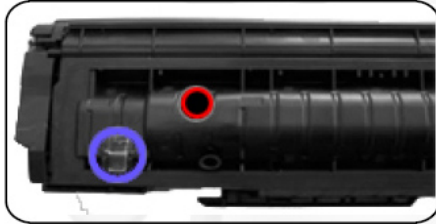


COLOR TONER INSTRUCTIONS

HP 3500 / 3600 / 3800 / 4500 / 4600 / 4700 / 5500

[CLICK HERE TO GO THE INDEX](#)

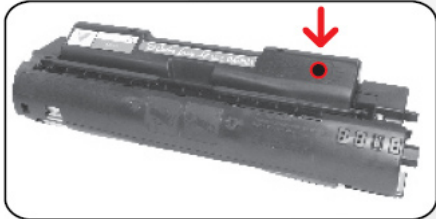
HP 3500



1. Choose a safe surface, such as a work bench, and place the hole making tool to rest on its stand.
2. Plug the tool into a standard wall power outlet and wait for the tool to heat up. Be extremely careful, the tool gets VERY HOT very quickly and can burn you
3. After about 3-4 minutes, the tool is ready for use.

ALWAYS refill in an area where you can tolerate a spill, like a workbench or outside.

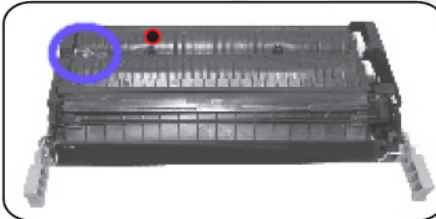
HP 4500



1. Using the hole making tool, CAREFULLY burn a hole into the cartridge in the area shown by the red circle BE VERY CAUTIOUS not to burn your self as the tool remains very HOT (see hole position in HP 3500, 4500, 4600).

NOTE: Making a hole in the cartridge leaves you with the burnt out round piece of plastic. If this falls in to the cartridge, you need to remove it by turning the cartridge upside down.

HP 4600



2. EMPTY OUT OLD TONER COMPLETELY.
3. Now you can fill the cartridge with toner by pouring it in, using the toner bottle and nozzle cap so as to avoid spillage.
4. After the cartridge is filled, you need to seal the hole using a plastic plug for the 4500 or duct tape for the 3500 and 4600, making sure that you have a tight seal.
5. Make sure that the transparent sensor (shown by the blue circle) is completely clean. If it is not, the printer may not recognize the cartridge.

GENERAL COMMENTS:

The HP 4600 cartridges have “chips” that recognize the levels in the cartridge. If your cartridge does not print after you have refilled it, then these chips need to be overrid or replaced. We offer 2 procedure to override the chip ink level. If both dont work, replacement chips can be bought on request.

OVERRIDE PROCEDURE 1: You just switch off and on the machine. Do it when you take out the cartridge, and after inserting it again.

The chip does not work with physical contact with the drum, but with a radio frequency. In some cases, due to this, you will have to switch off and on more than once, this is the only thing that needs to be done for the machine to recognize the cartridge.

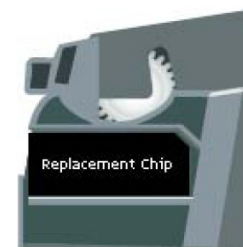
OVERRIDE PROCEDURE 2:

Click on “Menu”

Click on “Diagnostics”

Click on “Disable Diagnostics”

HP 3500 / 4500 / 4600 / 5500 CHIP REPLACEMENT INSTRUCTIONS



Replace the chip AFTER you have refilled the cartridge

1. Using a soft cloth, wipe the area under the chip clean.

2 Glue / Stick your Replacement chip in the area indicated.

Please be advised that some toner refill kits may be compatible with multiple toner cartridges.



COLOR TONER INSTRUCTIONS

HP 8500

[CLICK HERE TO GO THE INDEX](#)

ALWAYS refill in an area where you can tolerate a spill, like a workbench or outside.

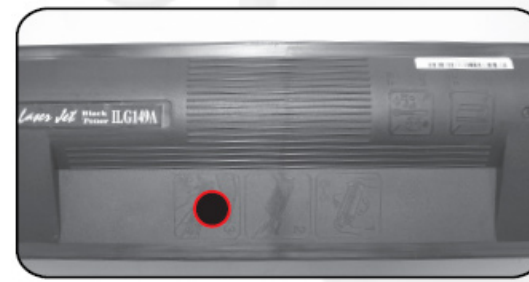


1. Choose a safe surface, such as a work bench, and place hole making tool to rest on its stand.
2. Plug the tool into a standard wall power outlet and wait for the tool to heat up (be extremely careful, the tool gets VERY HOT very quickly and can burn you.)



1. Using the hole making tool, CAREFULLY burn a hole into the cartridge in the area shown by the arrow. BE VERY CAREFUL not to burn yourself - the tool remains extremely HOT.

NOTE: Marking a hole in the cartridge leaves you with the burnt out round piece of plastic. If this falls into the cartridge, you need to remove it by turning the cartridge upside down.



2. Now you can fill the cartridge with toner by pouring it in, using the toner bottle and nozzle cap so as to avoid spillage.
3. After the cartridge is filled, you need to seal the hole using a plastic plug.

GENERAL COMMENTS:

It is always better to underfill than to overfill a cartridge. You can always add more toner later. Uni-Kit toner is researched and tested to produce excellent results - your first refill should be nearly 100% same quality as the original cartridge. It is recommended that you refill the same cartridge no more than 2-3 times, because with each print cycle the cartridge will wear and tear and quality will slowly diminish.

© All rights reserved, Easy Group, LLC. Version 3.0

All trademarks are property of their respective owners. Uni-Kit® has no association with any of the manufacturers listed here such as Hp, Epson, Lexmark, Xerox, etc. All logos and brand names shown here are used for identification purposes only. It is illegal to reproduce these instructions without written licensing consent from Easy Group LLC.

Please be advised that some toner refill kits may be compatible with multiple toner cartridges.



HP Color Laserjet 9500 / Canon ImageRunner 3200

[CLICK HERE TO GO THE INDEX](#)

A



B

Refill hole



REQUIRED FOR A SUCCESSFUL REFILL:

- Toner (Uni-Kit HP 9500)
- 1 funnel cap
- 1 hole plug
- Toner Hole Making Tool

General Refilling Procedures:

Rest the Hole Making Tool on its stand and plug into an outlet. Wait 3 full minutes before using. Position the copper bit on the cartridge in the spot indicated by the photograph and push gently until it melts a hole in the cartridge. Remove the tool, place it back on its stand and unplug it. If the small piece of plastic has fallen into the cartridge, it must be removed, as this can damage your cartridge or cause print defects. If the piece remains in the tool, wait for the tool to cool down and pry it out.

Before opening the bottle of toner, turn it upside down and tap it on a table to loosen the toner and allow it to flow freely. Remove the cap and pull the seal off the bottle. Attach the funnel cap making to sure it is on tightly. Tilt the funnel cap toward the filling hole and insert it into the hole. If the toner stops flowing before the cartridge is full, simply remove the toner, close the cap, turn the bottle upside down and tap it on a table. Once the cartridge is full seal the hole with the plug. Now gently shake the cartridge side to side to distribute the toner.

ALWAYS refill in an area where you can tolerate a spill, like a workbench or outside.

CHIP REMOVAL & INSTALLATION



1. Using a small flat blade screwdriver, carefully pry the chip forward by inserting the blade in the notch and remove the chip.
2. Use your fingers to peel away any remaining adhesive residue to ensure a clean surface. Use a dry, lint-free cloth and 91%-99% isopropyl alcohol to clean any residual adhesive from the mounting surface
3. Peel off the adhesive backing from a new chip and place the chip on the cartridge, making the angled area on the chip is aligned with the angled area on the cartridge .

© All rights reserved, Easy Group, LLC. Version 3.0

All trademarks are property of their respective owners. Uni-Kit® has no association with any of the manufacturers listed here such as Hp, Epson, Lexmark, Xerox, etc. All logos and brand names shown here are used for identification purposes only. It is illegal to reproduce these instructions without written licensing consent from Easy Group LLC.

Please be advised that some toner refill kits may be compatible with multiple toner cartridges.



LEXMARK C510 / C710
BROTHER TN04

[CLICK HERE TO GO THE INDEX](#)

ALWAYS refill in an area where you can tolerate a spill, like a workbench or outside.

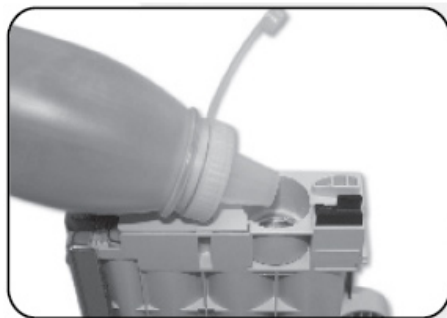
1. Locate the “filling hole” as shown by the arrow in the picture (the filling hole is covered by a plastic cap.)



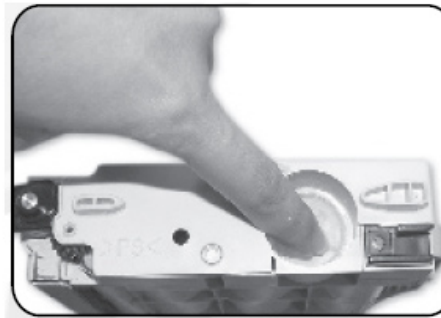
2. Remove the plastic cap using a pair of small pliers or tweezers.



3. Attach the nozzle to the toner refill bottle and pour toner inside the cartridge.



4. Replace the plastic cap you removed in step two.



GENERAL COMMENTS:

It is always better to underfill than to overfill a cartridge. You can always add more toner later.

Uni-Kit toner is researched and tested to produce excellent results - your first refill should be nearly 100% same quality as the original cartridge. It is recommended that you refill the same cartridge no more than 2-3 times, because with each print cycle the cartridge will wear and tear and quality will slowly diminish.

Please be advised that some toner refill kits may be compatible with multiple toner cartridges.

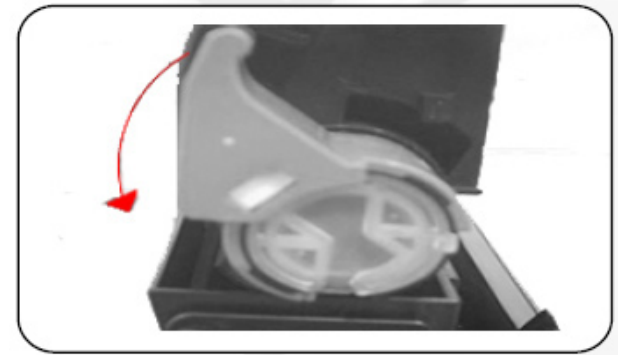


OKIDATA C5100 / C5150 / C5200 / C5300 / C5400 / C7100 / C 7200
C7300 / C7500/ B4100 / B4200 / B4300

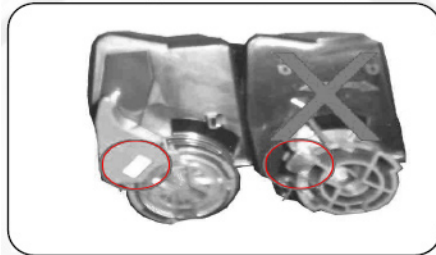
[CLICK HERE TO GO THE INDEX](#)

ALWAYS refill in an area where you can tolerate a spill. Use a area such as a workbench when refilling.

1. Turn the cartridge upside down, so that you are facing the **BOTTOM** of the cartridge.
2. Locate the plastic handle plastic **TAB** on the side of the cartridge. They are sometimes blue in color. The tab is about 1cm x 1cm in size. Depress the **TAB**. This will unlock the handle.
3. Now you can turn the **HANDLE** until it exposes a slit opening. Inside this opening is the chamber that holds the toner.
4. Connect the toner pouring nozzle to the toner bottle, and using the funnel provided you can now start pouring toner into the toner cartridge. After you have poured all the toner, you need to close the cartridge by turning the handle in the opposite direction to when you opened it. You need to make sure that you **COMPLETELY** close the slit-hole opening so that no toner can fall out. You need a tight seal to prevent spillage.



Replacement Cartridge Starter Cartridge



The OKIDATA C5100 cartridges have sensors to detect how much toner is left in the cartridge. Sometimes, this sensor will prevent the refilled cartridge from printing. You can quickly and easily “reset” your cartridge so that the printer recognizes it as a brand new cartridge and allows you to print. First, it is important to note which cartridge you have - is it a “starter cartridge” (the type that come with a new OKI C5100 printer), or is it a “replacement cartridge” (did you buy the cartridge separate to the printer). To identify which cartridge you have, see the picture below

1. Look at your cartridge on the side with the blue handle. Determine which cartridge you have by the tab on the blue handle. If you have a **WHITE** tab (shown on left) then you just need to wipe this sensor down with a clean paper towel. This sensor needs to be **ABSOLUTELY CLEAN** in order for the printer to recognize the cartridge. You do not need to use the paper reset method. If you have a **SILVER** tab (shown on right) then you will need to use the reset method shown below.
2. If you have the starter cartridge you will need to cut a 1.5” X 11” strip of paper. You will use this piece of paper to fool the printer and avoid the “cartridge is empty” message. You have 1 sensor for each color, place this piece of paper between the sensors and the printer as shown in picture above. When you insert the strip of paper the printer will think that you are using the replacement cartridge from the store (not the starter cartridge).



Please be advised that some toner refill kits may be compatible with multiple toner cartridges.



REFILL INSTRUCTIONS

QMS 2300 / 2350 / EPSON C900 / C1900

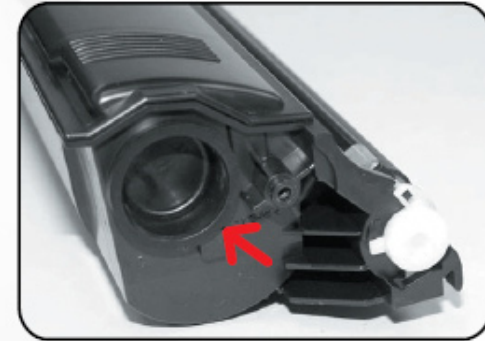
[CLICK HERE TO GO THE INDEX](#)



1. Remove one screw then remove the plastic part.



2. This exposes the cap which seals the filling hole.



3. Remove the cap by inserting the tip of a screw driver and twisting it carefully. Now you can pour toner into the cartridge by attaching the nozzle to the bottle.

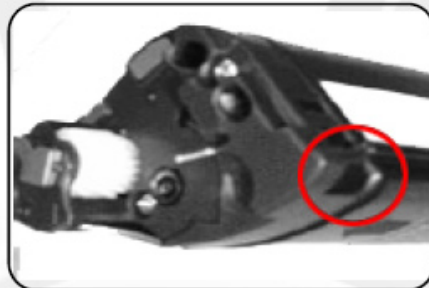
GENERAL COMMENTS:

Sometimes the QMS 2300 printer will not recognize the refilled cartridge. The only way to overcome this is to “RESET” the cartridge. Reset instructions are provided separately. It is always better to underfill than to overfill a cartridge. You can always add more toner later. Uni-Kit toner is researched and tested to produce excellent results - your first refill should be nearly 100% same quality as the original cartridge. It is recommended that you refill the same cartridge no more than 2-3 times, because with each print cycle the cartridge will wear and tear and quality will slowly diminish.

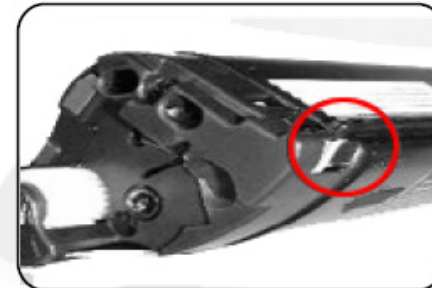
QMS 2300 SENSOR RESET INSTRUCTIONS



Brand-New (Unused) OEM Cartridge



Used OEM Cartridge



The QMS 2300 sensor is a small, white plastic piece, located on the cartridge edge as shown in the circle above.

When the cartridge is placed into the printer, the sensor (see red circle) gets ejected out of the cartridge. When refilling the cartridge, the sensor must be pushed back into the cartridge in order to reset it otherwise the printer will show an error.

© All rights reserved, Easy Group, LLC. Version 3.0

All trademarks are property of their respective owners. Uni-Kit® has no association with any of the manufacturers listed here such as Hp, Epson, Lexmark, Xerox, etc. All logos and brand names shown here are used for identification purposes only. It is illegal to reproduce these instructions without written licensing consent from Easy Group LLC.

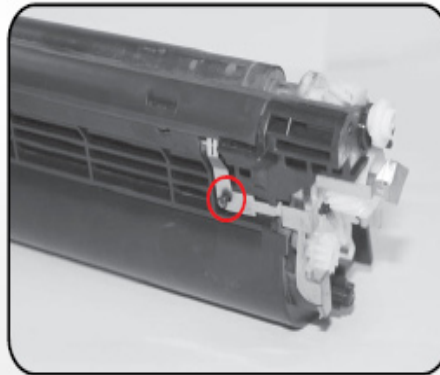


QMS 2300 SENSOR RESET INSTRUCTIONS

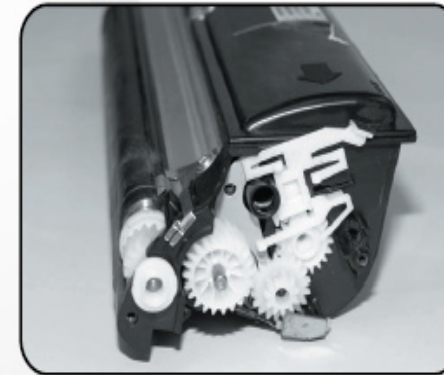
[CLICK HERE TO GO THE INDEX](#)



1. Remove the three screws with a screwdriver as shown above.



2. Now locate the fourth screw (shown above) and remove it. This will allow you to remove the endcap. Caution: When removing the end cap, be careful not to damage the copperplate on the cartridge body.



3. The bottom portion of the sensor has toothed gears. It is important that you position the sensor so that the teeth of the sensor align with the bottom gear teeth. The above picture shows what it should look like if done properly.

NOTE: It is important that the teeth mesh if you hear a grinding noise after resetting the cartridge and placing it in the printer then the teeth have not meshed. You need to open the cartridge and reset the sensor.



4. Reattach the endcap to the cartridge with the four screws you removed in steps 1 and 2. Check that the copperplate fits the cartridge properly. Your cartridge should now be successfully reset

Please be advised that some toner refill kits may be compatible with multiple toner cartridges.



TROUBLESHOOTING

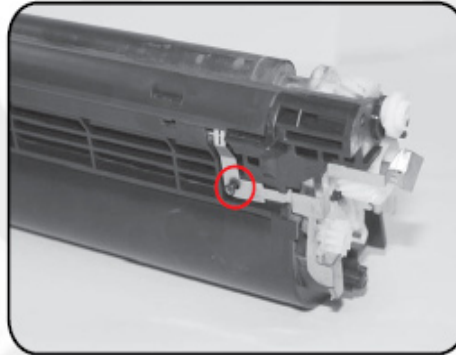
QMS 2300 SENSOR RESET INSTRUCTIONS

[CLICK HERE TO GO THE INDEX](#)

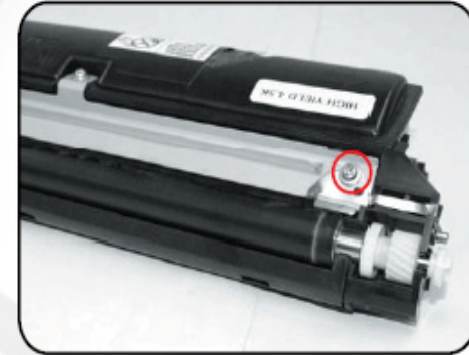
NOTE: Only use this procedure when necessary such as if the Developer Roller indicates a problem, contamination, lines etc.



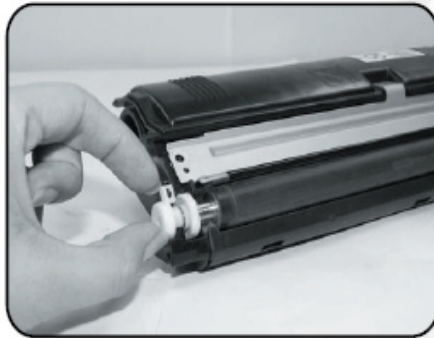
1. Unscrew the three gold screws on the side of the cartridge along with the screw on the copper contact.



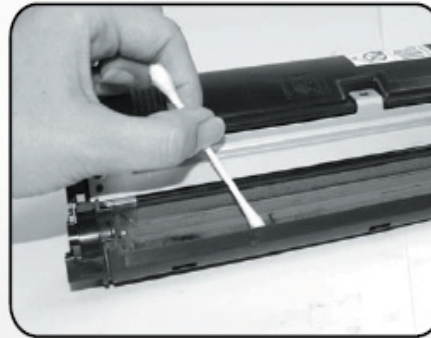
2. Carefully lift the contact and remove the end cap. You should also remove the white gears.



3. Remove the doctor blade by unscrewing the screws. You should gently wipe in one direction, or remove any obstacles.



4. Remove the developer roller by turning the white endcap on the gear side and lifting the roller out.



5. Recovery blades should be gently cleaned with a Q-tip without applying pressure.



6. Clean the developer roller by blowing it off or carefully wiping it. NOTE: Do not use a vacuum or touch the smaller supply roller.

© All rights reserved, Easy Group, LLC. Version 3.0

All trademarks are property of their respective owners. Uni-Kit® has no association with any of the manufacturers listed here such as Hp, Epson, Lexmark, Xerox, etc. All logos and brand names shown here are used for identification purposes only. It is illegal to reproduce these instructions without written licensing consent from Easy Group LLC.

Please be advised that some toner refill kits may be compatible with multiple toner cartridges.



QMS 2200 / 2400 EPSON C1000 / C2000 / C3000

[CLICK HERE TO GO THE INDEX](#)

REFILL INSTRUCTIONS

Note: For the QMS 2400 cartridge, there is a similar plug that as the QMS 2200 on the opposite side of the cartridge that is semi-rigid but easily removable with a pair of pliers. You do not need a screwdriver to expose that plug. Remove it with a pair of pliers and you have exposed the filling hole.



1. Using a screwdriver remove 1 screw from the side of cartridge



2. This will expose the cap as shown. The filling hole is behind this cap. Remove this cap carefully. Then remove the plastic cover.



3. Attach the pouring nozzle to the refill bottle and pour the toner into the cartridge

GENERAL COMMENTS:

It is always better to underfill than to overfill a cartridge. You can always add more toner later.

Uni-Kit toner is researched and tested to produce excellent results - your first refill should be nearly 100% same quality as the original cartridge. It is recommended that you refill the same cartridge no more than 2-3 times, because with each print cycle the cartridge will wear and tear and quality will slowly diminish.

© All rights reserved, Easy Group, LLC. Version 3.0

All trademarks are property of their respective owners. Uni-Kit® has no association with any of the manufacturers listed here such as Hp, Epson, Lexmark, Xerox, etc. All logos and brand names shown here are used for identification purposes only. It is illegal to reproduce these instructions without written licensing consent from Easy Group LLC.



QMS MAGICOLOR 2400 SERIES

[CLICK HERE TO GO THE INDEX](#)

The following reset procedure will enable the printer to continue printing even though the toner level will say “empty”.

Magicolor 2400 Series

STEP 1

You need to find the STATUS DISPLAY icon for your QMS 2400 printer. To locate this icon, go to START □ PROGRAMS □ KONICA MINOLTA 2400 UTILITIES □ and then select “STATUS”.

STEP 2

In the menu bar on top, select “PRINTER” and then select “MODE SETTING”.

STEP 3

Uncheck the “AUTO TONER REPLACE” and then save or click OK if prompted

STEP 4

Now turn your printer off, and then turn it back on a few seconds later.

Magicolor 2430 Series

STEP 1

On your Magicolor 2430 series printer, make sure the panel display says “READY”. Then press the MENU/SELECT button.

STEP 2

By scrolling with the right arrow button, continue until you stop at selection “ENGINE”. Now press the MENU/SELECT button again.

STEP 3

Scroll again with the right arrow button until you get to “TONER EMPTY”. Press the MENU/SELECT button again.

STEP 4

Press the right arrow button until you get to “TONER IS EMPTY OR OUT”

STEP 5

Press MENU/SELECT button once more, and then press the UP arrow until you see “READY”.

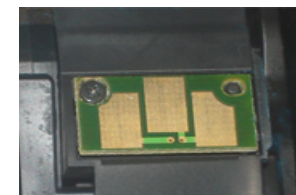
INSTRUCTIONS ON HOW TO REPLACE THE CHIPS

Replacement chips are available for those customers who want to restore the “toner level monitoring” features that the chips have. If you have bought the replacement chip, please follow these simple chip replacement instructions:

- 1) Remove the old chip by first removing the screw in the top left hand corner of the diagram below
- 2) If your cartridge has an original chip with TWO holes in it (same as the photo below) and if the chip you have bought only has ONE hole, then you need to follow step (3). If your cartridge does not look like the photo below, then move on to step (4)
- 3) --- you can skip this step if your cartridge does not look like the one in the photo below --- Using a flat utility knife or blade, cut the plastic protrusion that is behind the chip on the top right corner. This plastic protrusion sticks through the original QMS 2400 chip but has no purpose. If the replacement chip you purchased does not have a hole for this protrusion to fit into, the protrusion will push on the chip unless you shave away at the protrusion by 1-2 mm. Then the new replacement chip can sit snugly over the protrusion and not stick out.
- 4) Replace the new chip by replacing the screw and the new chip in the same orientation

Photo of a chip with TWO holes and a protrusion jutting through the right hole.

If the new chip you have only has ONE hole on the left, follow step (3) above.



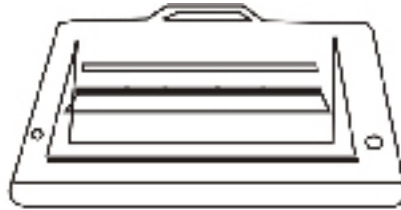
Please be advised that some toner refill kits may be compatible with multiple toner cartridges.



XEROX TEKTRONIX PHASER 6100 / SAMSUNG CLP 500

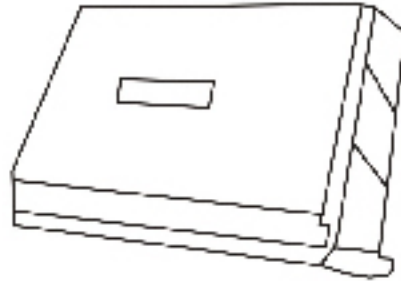
[CLICK HERE TO GO THE INDEX](#)

1. Remove the 4 screws from the top of the cartridge.



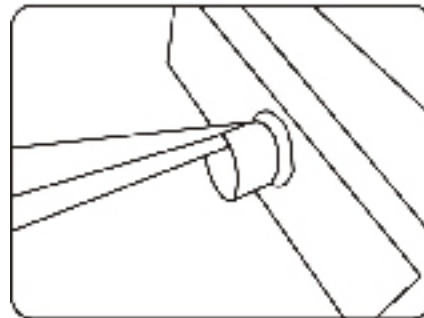
2. Remove one screw from the side of the cartridge

3. Carefully spread the sides of the cartridge cover to release the catches on both sides of the bottom. A small flat-bladed screwdriver may be used, but be careful not to break the plastic.



4. The cover should lift straight up and off. Be gentle and slow as there may be a small amount of glue on the front edge of the plastic. You should now have something resembling the cartridge pictured above.

5. Remove the plastic plug in the side of the cartridge with a small pair of pliers. Pull on alternate sides until the plugs come out.



6. Carefully pour in the new toner. Cleanup any spills or clothing with cold water. Replace the plug, cover and screws in reverse order.

GENERAL COMMENTS:

(The Pictures show refilling a high capacity black cartridge. The standard capacity color cartridges are identical except the center section of the cartridge is not raised.)

Please be advised that some toner refill kits may be compatible with multiple toner cartridges.



HP 7553A/7553X

[CLICK HERE TO GO THE INDEX](#)

REQUIRED FOR A SUCCESSFUL REFILL:

- Toner (Uni-kit for HP 2015)
- 1 funnel cap
- 1 hole plug
- Toner Hole Making Tool

Requires replacment chip (sold separately)

General Refilling Procedures:

Rest the Hole Making Tool on its stand and plug into an outlet. Wait 3 full minutes before using. Position the copper bit on the cartridge in the spot indicated in photograph A and push gently until it melts a hole in the cartridge. Make sure to keep the hole on the flat surface of the cartridge and not on the curved edge. Remove the tool, place it back on its stand and unplug it. If the small piece of plastic has fallen into the cartridge, it must be removed, as this can damage your cartridge or cause print defects. If the piece remains in the tool, wait for the tool to cool down and pry it out.

Before opening the bottle of toner, turn it upside down and tap it on a table to loosen the toner and allow it to flow freely. Remove the cap and pull the seal off the bottle. Attach the funnel cap making to sure it is on tightly. Tilt the funnel cap toward the filling hole and insert it into the hole. If the toner stops flowing before the cartridge is full, simply remove the toner, close the cap, turn the bottle upside down and tap it on a table. Once the cartridge is full seal the hole with the plug.

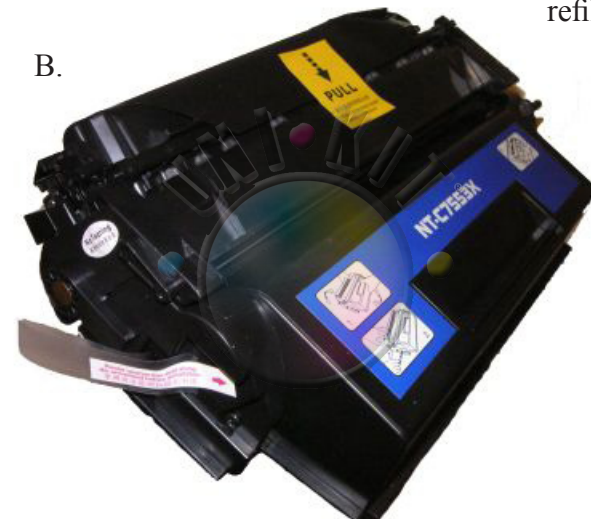
Do not press down on the plug since the cartridge is resting on a table this can actually damage the photo-optic drum. Instead hold one end of the cartridge up off the table and twist the plug until it fully sealed. Now gently shake the cartridge side to side to distribute the toner.

A.



Create hole for refill here

B.



Please be advised that some toner refill kits may be compatible with multiple toner cartridges.



HP 7551A/7551X

[CLICK HERE TO GO THE INDEX](#)

REQUIRED FOR A SUCCESSFUL REFILL:

- Toner (Uni-kit for HP P3005)
- 1 funnel cap
- 1 hole plug
- Toner Hole Making Tool

Requires replacment chip (sold separately)

General Refilling Procedures:

Rest the Hole Making Tool on its stand and plug into an outlet. Wait 3 full minutes before using. Position the copper bit on the cartridge in the spot indicated in photograph A and push gently until it melts a hole in the cartridge. Make sure to keep the hole on the flat surface of the cartridge and not on the curved edge. Remove the tool, place it back on its stand and unplug it. If the small piece of plastic has fallen into the cartridge, it must be removed, as this can damage your cartridge or cause print defects. If the piece remains in the tool, wait for the tool to cool down and pry it out.

Before opening the bottle of toner, turn it upside down and tap it on a table to loosen the toner and allow it to flow freely. Remove the cap and pull the seal off the bottle. Attach the funnel cap making to sure it is on tightly. Tilt the funnel cap toward the filling hole and insert it into the hole. If the toner stops flowing before the cartridge is full, simply remove the toner, close the cap, turn the bottle upside down and tap it on a table. Once the cartridge is full seal the hole with the plug.

Do not press down on the plug since the cartridge is resting on a table this can actually damage the photo-optic drum. Instead hold one end of the cartridge up off the table and twist the plug until it fully sealed. Now gently shake the cartridge side to side to distribute the toner.

A.



Create hole for
refill here

Please be advised that some toner refill kits may be compatible with multiple toner cartridges.



Ricoh CL4000

[CLICK HERE TO GO THE INDEX](#)

REQUIRED FOR A SUCCESSFUL REFILL:

- Toner (Uni-kit for Ricoh CL4000)
- 1 funnel cap

Note: Please read carefully before refilling cartridge.

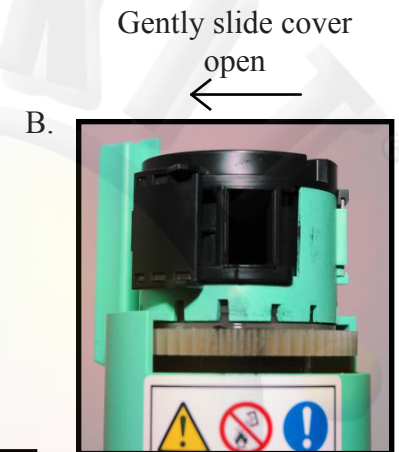
General Refilling Procedures:

Make sure you hold this cartridge in an upright position when opening the refill hole (some remaining or excess toner can and may fall out of the cartridge). Slide the small cover door, shown in picture B, to the left gently. Please be careful not to slide this small door off the track (it can be quite difficult to replace).

Before opening the bottle of toner, turn it upside down and tap it on a table to loosen the toner and allow it to flow freely. Remove the cap and pull the seal off the bottle. Attach the funnel cap making to sure it is on tightly. Tilt the cartridge at a 45 degree angle and then the funnel cap toward the filling hole and insert it into the hole. If the toner stops flowing before the cartridge is full, simply remove the toner, close the cap, turn the bottle upside down and tap it on a table. If the funnel cap you are provided is much larger than the opening of the refill hole, you can use plain paper or news paper as an alternative assistant to help guide the toner directly into the hole. When you are done refilling this cartridge, slide the small door back to its original position, so that the hole is no longer exposed.

You can now place your cartridge back into your printer as shown in picture A.

NOTE: If picture A looks different than your printer, please set colors according to your printer.



Please be advised that some toner refill kits may be compatible with multiple toner cartridges.



HP 3600/3800/4700

[CLICK HERE TO GO THE INDEX](#)

REQUIRED FOR A SUCCESSFUL REFILL:

- Toner (Uni-kit for HP 4700 or HP 3600)
- 1 hole making tool

Note: Please read carefully before refilling cartridge.

General Refilling Procedures:

Make sure you lay the cartridge down so that it looks like the illustrations to the right. Plug in your hole making tool for 5 min so that it may warm up and be ready for use. Please be very careful with this tool, it can get very hot and cause serious burns. Once your hole making tool is ready for use, make a hole on the cartridge as shown in the illustrations to the right (The red circles on each illustration show where the hole should be created).

Once the hole has been created, empty any toner left inside the cartridge (mixing two different brands of toners could result in bad printing, or rare discoloration in your prints).

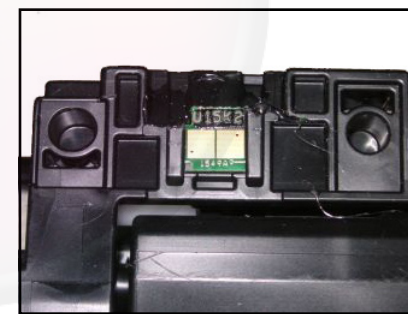
Before opening the bottle of toner, turn it upside down and tap it on a table to loosen the toner and allow it to flow freely. Remove the cap and pull the seal off the bottle. Attach the funnel cap making to sure it is on tightly. Tilt the cartridge at a 45 degree angle and then the funnel cap toward the filling hole and insert it into the hole. If the toner stops flowing before the cartridge is full, simply remove the toner, close the cap, turn the bottle upside down and tap it on a table. Once you are done refilling this cartridge, use duct tape or electrical tape to seal up the hole by taping over it.

Replace the chip(s) on each cartridge that has been refilled. Please keep in mind that replacement chips may look different than that of the OEM. Once the chip has been replaced, insert your cartridge back into your printer. Your cartridge is now ready for use.

HP 3600/3800



HP 4700



Please be advised that some toner refill kits may be compatible with multiple toner cartridges.



Samsung CLP300

[CLICK HERE TO GO THE INDEX](#)

REQUIRED FOR A SUCCESSFUL REFILL:

- Toner (Uni-kit for SAMSUNG CLP300)
- 1 hole making tool

Note: Please read carefully before refilling cartridge.

General Refilling Procedures:

Make sure you hold this cartridge in an upright position before creating a refill hole (some remaining or excess toner can and may fall out of the cartridge). Illustration A on the right shows you where to create a refill hole for your cartridge. Once the hole has been created, empty any toner left inside the cartridge (mixing two different brands of toners could result in bad printing, or rare discoloration in your prints).

Before opening the bottle of toner, turn it upside down and tap it on a table to loosen the toner and allow it to flow freely. Remove the cap and pull the seal off the bottle. Attach the funnel cap making to sure it is on tightly. Tilt the cartridge at a 45 degree angle and then the funnel cap toward the filling hole and insert it into the hole. If the toner stops flowing before the cartridge is full, simply remove the toner, close the cap, turn the bottle upside down and tap it on a table. When you are done refilling this cartridge, simply use duct tape, or electrical tape to seal the refilling hole back up. Please use illustration B as a guidance.

You can now place your cartridge back into your printer as shown in picture A.

NOTE: When the cartridge runs out of toner the printer informs the chip, and both stop any printing thereafter. However if we do not allow the cartridge to run out of toner, this stopping process will not occur.

A.



B.





Xerox Phaser 7300

[CLICK HERE TO GO THE INDEX](#)

REQUIRED FOR A SUCCESSFUL REFILL:

- Toner (Uni-kit for Xerox Phaser 7300)
- 1 funnel cap

Note: Please read carefully before refilling cartridge.

General Refilling Procedures:

Hopper section is separated into two sections; one side of the hopper is for the toner delivery and contains the toner ready for printing. The other side is for the Waste toner, toner is spread evenly across this section by means of an Archimedes screw. It is essential that all the toner is removed from both of these two sections, before the new toner is placed into the hopper unit. Simply opening the gate at the bottom of the hopper, and pulling out the black bung on the side, gives us the opportunity to thoroughly clean the new toner section of the hopper.

To clean the waste section: On the side of the hopper is a spring loaded gate, which can be pushed back to open the waste section to allow cleaning. Pour all waste toner out and discard it. When you have emptied the waste toner, remember to place the plug back into its place.

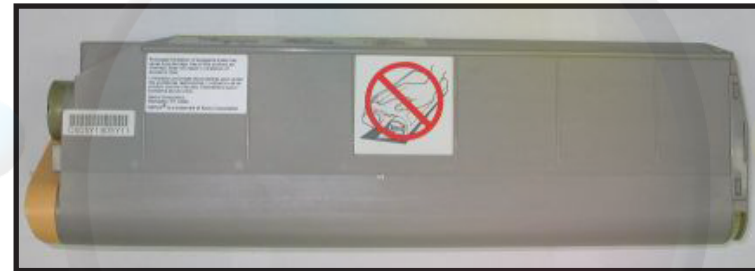
Now the cartridge can be refilled. Using illustration D as a reference carefully remove the hopper plug by placing a small flat blade screwdriver behind the lip of the bung, and prise it away from the hopper unit. Care should be taken when refilling the hopper unit, as toner can leak out of the main gate, simply place some tape over the gate area whilst filling to stop leaking.

Before opening the bottle of toner, turn it upside down and tap it on a table to loosen the toner and allow it to flow freely. Remove the cap and pull the seal off the bottle. Attach the funnel cap making sure it is on tightly. Tilt the cartridge at a 45 degree angle and then the funnel cap toward the filling hole and insert it into the hole. If the toner stops flowing before the cartridge is full, simply remove the toner, close the cap, turn the bottle upside down and tap it on a table. Once you are done refilling this cartridge, replace the plug back into its place and combine the toner unit with the drum unit. Your cartridge is now ready for use.

A. Toner unit (top) Drum unit (bottom)



B. Toner unit



C. Waste hopper section



D. Toner hopper section

